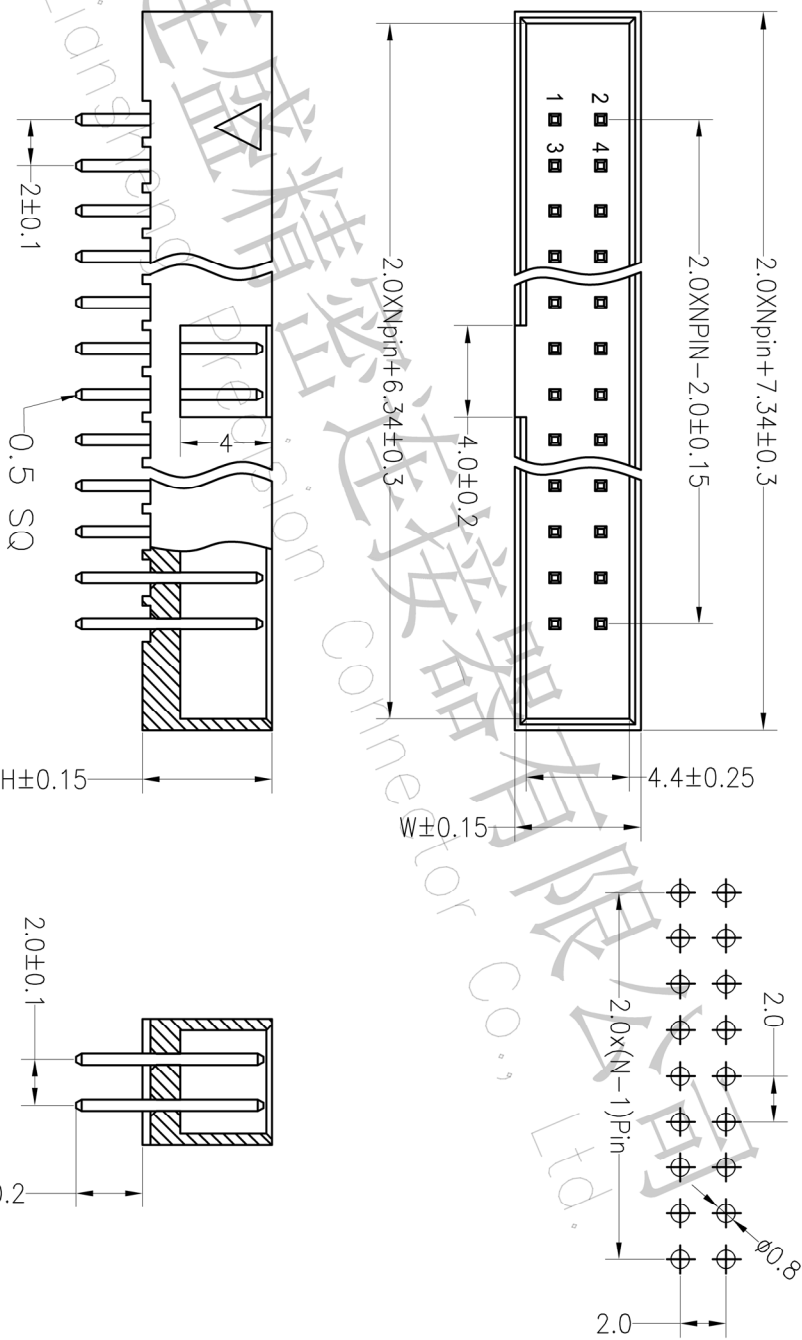


RoHS

SPECIFICATIONS

Rated Current:1.5AMP
 Contact Resistance:20mΩ Max
 Withstand Voltage:400V AC/DC
 Insulation Resistance:800MΩ Min
 Operation Temperature: -40°C to +105°C
 Contact Material:Brass
 Contact Plating: Au Over Ni
 Insulator Material: Polyester(UL94V-0)
 Standard: PA6T
 Max. Processing Temp: 230°C for 30-60 seconds
 (260°C for 10 seconds)



Recommended P.C.B Layout(Top Side)
 (PCB BOARD TOLERANCE±0.05)

Ordering Information

| | | | | | | | | |
|--------------|----|----------------|---|---|---|---|--|------------------|
| J | X | XXX | X | XX | X | X | X | XXXX |
| 产品类型 J=筒件 | 颜色 | 总长度 01.6=6P | 产品形态 1=DIP 2=PA 3=SMT 4=SH 5=贴片脚 | 电镀厚度 00=常规 01=11" 02=21" 03=31" S=镀锡 | 塑胶材料 1=PBT 2=LCP 3=PPS 4=PA66 9=PA6T | 塑胶颜色 1=黑色 2=灰色 3=白色 4=蓝色 5=红色 7=灰白色 | 每盘方式 1=卷装 2=盒装 3=散装 4=袋装 5=盒装 | 序列号 0001-9999 |

| ITEM | PB | PC | PW | H | W |
|------|----|-----|----|------|-----|
| 001 | | 2.8 | | 5.65 | |
| 002 | | | | | 5.5 |



深圳市连盛精密连接器有限公司
 Shenzhen Liansheng Precision Connector Co., Ltd.

| | | | | | | | | | |
|-----------|-------|---------|--|-------|-----|-----|-----|------------------------|--|
| OPERATION | | DRAW | | SCALE | | FIT | | PART NO. | |
| X.X | ±0.30 | | | UNIT | mm | A4 | 1/1 | TITLE: | |
| X.XX | ±0.20 | CHECK | | SIZE | A4 | 1/1 | | 2.0Box Npin H5.65 180° | |
| X.XXX | ±0.10 | | | SHEET | 1/1 | | | | |
| Angle | ±3° | APPROVE | | PROJ. | | | | | |
| DIM | TOL | | | | | | | | |