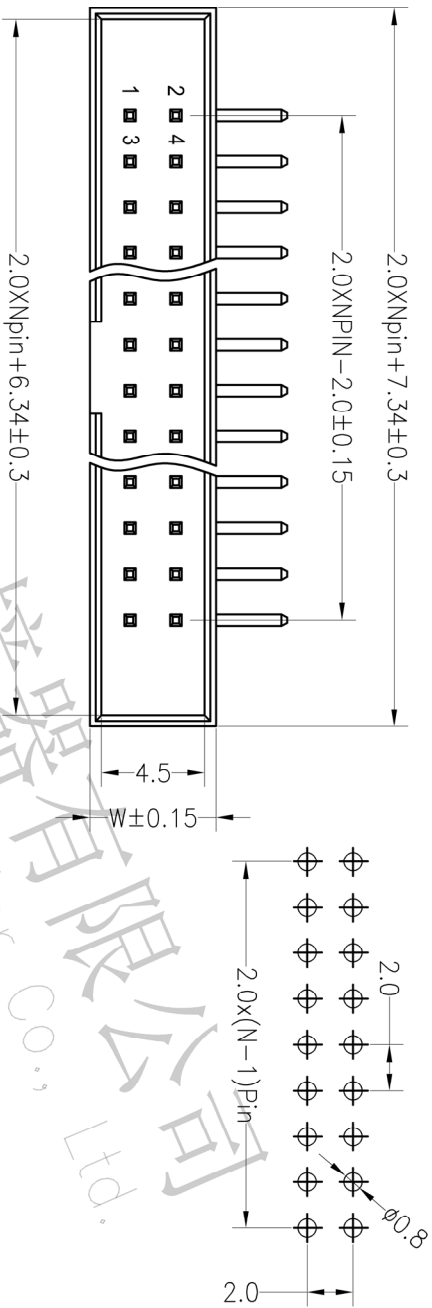


RoHS

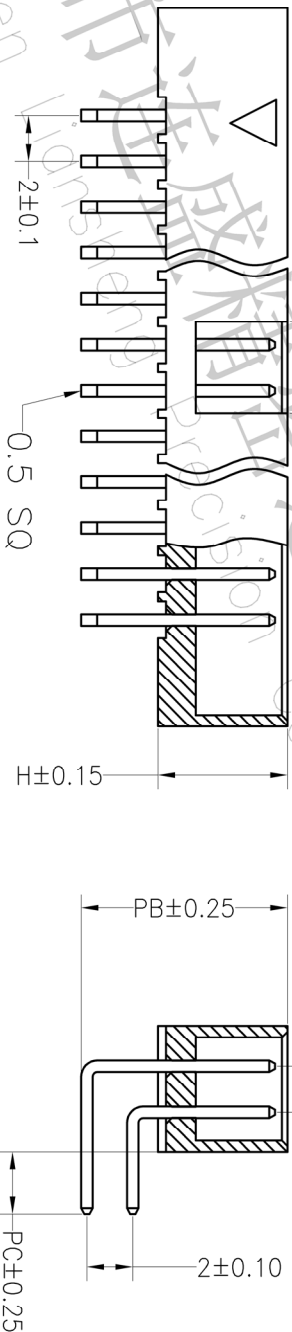
SPECIFICATIONS

Rated Current:1.5AMP
 Contact Resistance:20mΩ Max
 Withstand Voltage:400V AC/DC
 Insulation Resistance:800MΩ Min
 Operation Temperature:-40°C to +105°C

Contact Material:Brass
 Contact Plating:Au or Sn Over Ni
 Insulator Material:Polyester(UL94V-0)
 Standard: PA6T
 Max.Processing Temp: 230°C for 30-60 seconds
 (260°C for 10 seconds)



Recommended P.C.B Layout(Top Side)
 (PCB BOARD TOLERANCE±0.05)



Ordering Information

J X XXX X XX X X X XXXX

产品类别: J=前序
 1=1.27 2=2.0 3=2.54 4=3.96 5=1.0 7=2.08 A=1.27*2.54

总长度: 016=16P

产品形态: 1-DIP 2-RA 3-SMT 4-SH 5-线绕脚

电规厚度: 00=常规 01=1.1" 02=2.0" 03=3.0" S=线绕

绝缘材料: 1=PBT 2=LCP 3=PFS 4=PA6 5=PA6T 9=PA9T

塑胶颜色: 1=黑色 2=灰色 3=白色 4=蓝色 5=红色 6=黄色 7=灰白色

包装方式: 1=管装 2=卷装 3=袋装 4=袋装 5=散装

序列号: 0001-9999

Dimension antitheses list

ITEM	PB	PC	PW	H	W
001	9.0	2.7		5.65	5.5
002					

 深圳市连盛精密连接器有限公司
 Shenzhen Liansheng Precision Connector Co., Ltd.

REV	DATE	MODIFICATION DESCRIPTION	CHANGE	OPERATION		DRAW		SCALE		FIT	PART NO.	TITLE:
				X.X	±0.30	DRAW	UNIT	mm	SIZE			
A0	2012.07.26	NEW DRAWING		X.XX	±0.20	CHECK	A4	1/1	1/1		2.0Box Header Npin H5.65	L=10.5/14.5 90°
1				Angle	±3°	APPROVE						

1 2 3 4 5 6 7 8 9