

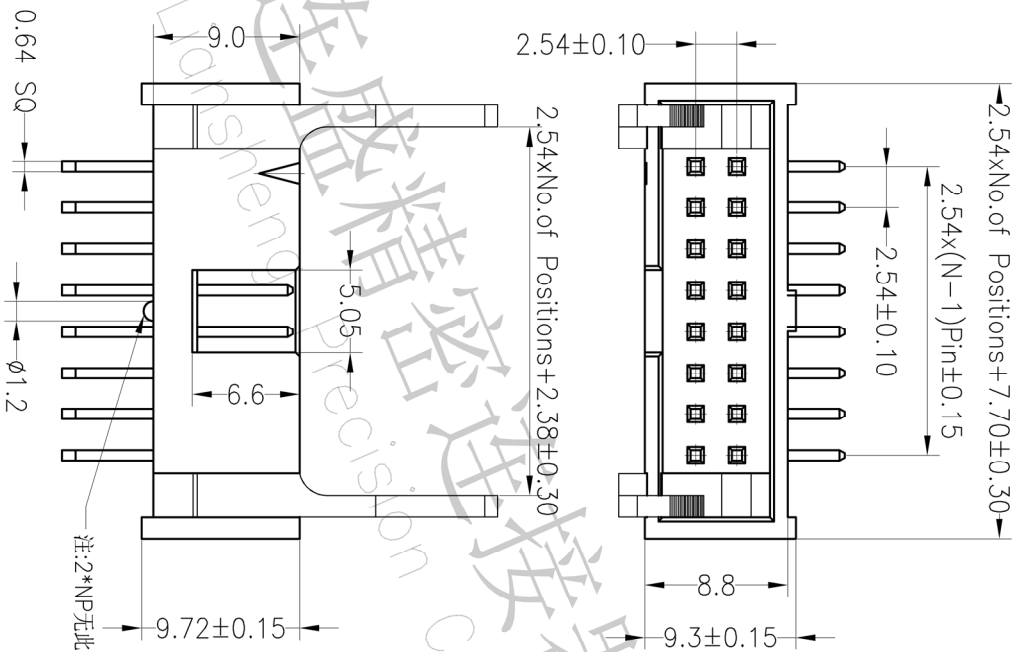
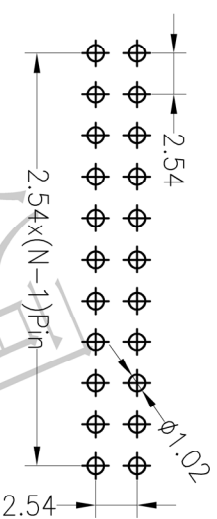
ROHS

SPECIFICATIONS

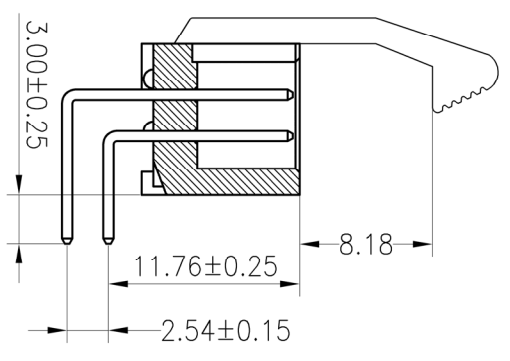
Rated Current:3.0AMP
 Contact Resistance:20mΩ Max
 Withstand Voltage:1000V AC/DC
 Insulation Resistance:1000MΩ Min
 Operation Temperature:-40°C to +105°C

Contact Material:Brass
 Contact Plating:Au or Sn Over Ni
 Insulator Material:Polyester(UL94V-0)
 Standard: PBT
 Max.Processing Temp: 180°C for 30-60 seconds
 (200°C for 10 seconds)

Recommended P.C.B Layout(Top Side)
 (PCB BOARD TOLERANCE±0.05)



注:2*NP无此凸点(N为奇数)



Ordering Information

J	X	XXX	X	XX	X	X	XXXX
产品类别	间距	超引线数	产品形态	电镀厚度	塑胶材料	塑胶颜色	序列号
J=端子	1=1.27	016=16P	1=CP	00=常规	1=PBT	1=黑色	0001-9999
	2=2.0		2=PA	01=1N"	2=CP	2=灰色	
	3=2.54		3=SM	02=2N"	3=PS	3=白色	
	4=3.18		4=SM1	03=3N"	4=PA6	4=蓝色	
	5=1.0		5=线状脚	SV=镀锡	9=PA9T	5=红色	
	6=0.8					6=灰色	
	7=5.08					7=灰白色	
	AA=1.27*2.54						

ITEM	PB	PC	PW	H	W
001					
002					

深圳市连盛精密连接器有限公司
 Shenzhen Liansheng Precision Connector Co., Ltd.

A	REV	DATE	MODIFICATION DESCRIPTION	CHANGE	OPERATION	DRAW	SCALE	FIT	PART NO.	TITLE:
	A0	2014.05.26	NEW DRAWING		X.X ±0.30	CHECK	UNIT mm	A4	2.54mm 2*NP 带金属钩筒牛 90° L=22.5, 17.5	
B	REV	DATE	MODIFICATION DESCRIPTION	CHANGE	X.XX ±0.20	CHECK	SIZE A4	1/1		
C	REV	DATE	MODIFICATION DESCRIPTION	CHANGE	X.XXX ±0.10	CHECK	SHEET	1/1		
D	REV	DATE	MODIFICATION DESCRIPTION	CHANGE	Angle ±3°	APPROVE	PROJ.			
E	REV	DATE	MODIFICATION DESCRIPTION	CHANGE	DIM	TOL				
F	REV	DATE	MODIFICATION DESCRIPTION	CHANGE						
G	REV	DATE	MODIFICATION DESCRIPTION	CHANGE						