

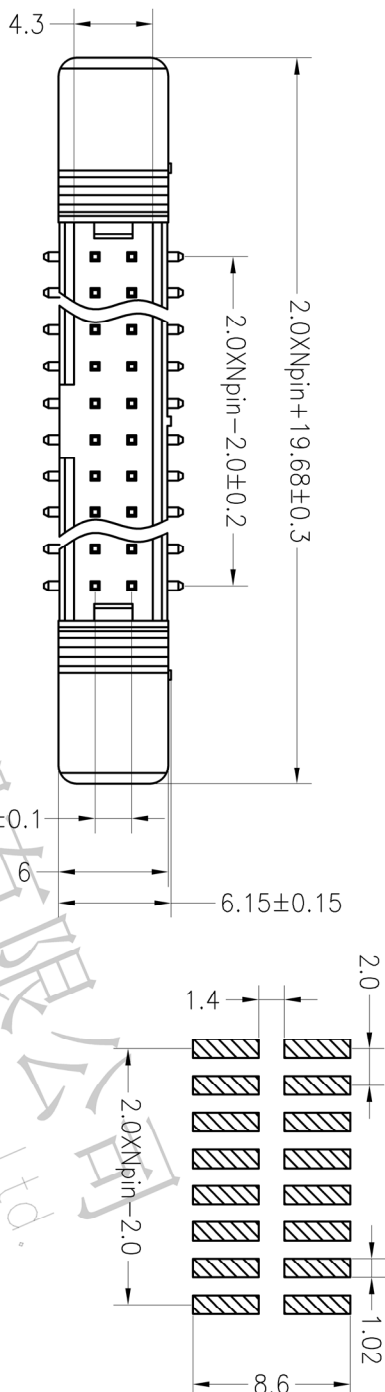
RoHS

Recommended P.C.B Layout(Top Side)
(PCB BOARD TOLERANCE±0.05)

SPECIFICATIONS

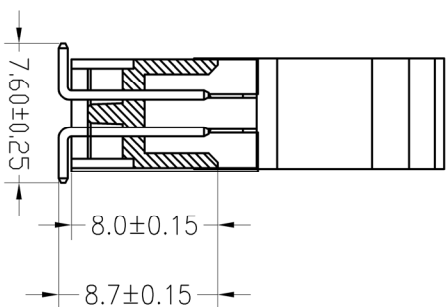
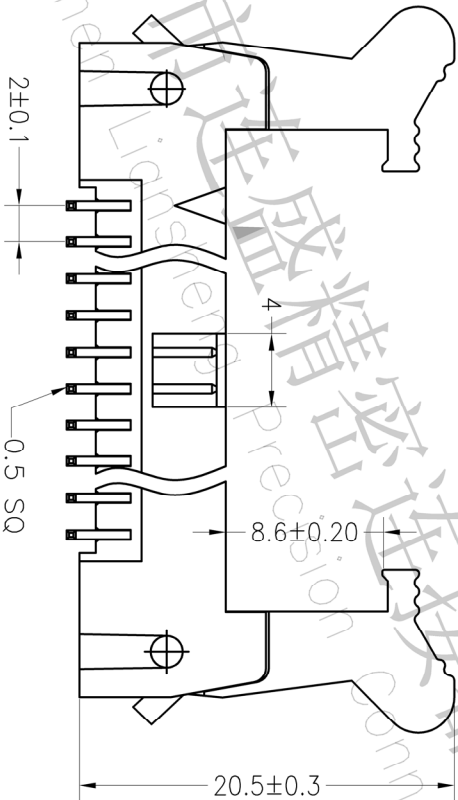
Rated Current:1.50AMP
Contact Resistance:20mΩ Max
Withstand Voltage:500V AC/DC
Insulation Resistance:800MΩ Min
Operation Temperature:-40°c to +105°c

Contact Material:Brass
Contact Plating:Au Over Ni
Insulator Material:Polyester(Ul94V-0)
Standard: PA6T
Max.Processing Temp: 230°C for 30-60 seconds
(260°C for 10 seconds)



Ordering Information

N	X	XXX	X	XX	X	X	X	XXXX
产品型号	颜色	品名	产品型号	电镀厚度	绝缘材料	镀层颜色	特殊型号	序列号
N=1#	1=1.27	016=16P	1=0P	00=0mm	1=PBRT	1=黑色	1=插针	0001-9999
2=2#	2=2.54		2=0A	01=1u"	2=CP	2=灰色	2=长耳	
3=3#	3=3.81		3=SH	02=2u"	3=PA6T	3=白色	3=短耳	
4=4#	4=4.95		4=SH	03=3u"	4=PA6T	4=蓝色	4=中耳	
5=5#	5=5.0		5=短插针	SV=镀锡	5=PA6T	5=红色		
6=6#	6=6.35				6=PA6T	6=黄色		
7=7#	7=7.62				7=PA6T	7=灰色		
8=8#	8=8.91							
9=9#	9=9.14							
10=10#	10=10.16							



Dimension antitheses list

ITEM	PB	PC	PW	H	W
001					
002					



深圳市连盛精密连接器有限公司
Shenzhen LianSheng Precision Connector Co., Ltd.

A

REV	DATE	MODIFICATION DESCRIPTION	CHANGE	OPERATION	DRAW	SCALE	FIT	PART NO.	TITLE:
A0	2012.10.05	NEW DRAWING		X.X ±0.30	CHECK	UNIT mm	A4		
				X.XX ±0.20	CHECK	SIZE A4	1/1		
				X.XXX ±0.10	CHECK	SHEET			
				Angle ±3°	APPROVE	PROJ.			
				DIM					
				TOL					

A

1	2	3	4	5	6	7	8	9
---	---	---	---	---	---	---	---	---

A