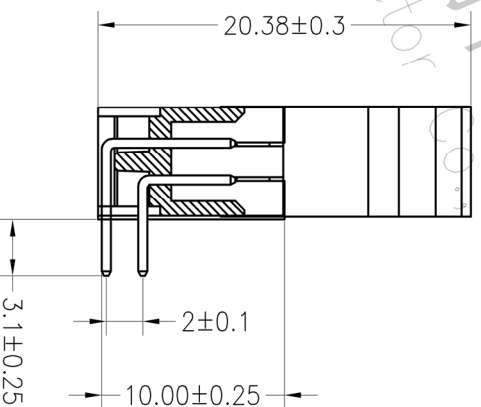
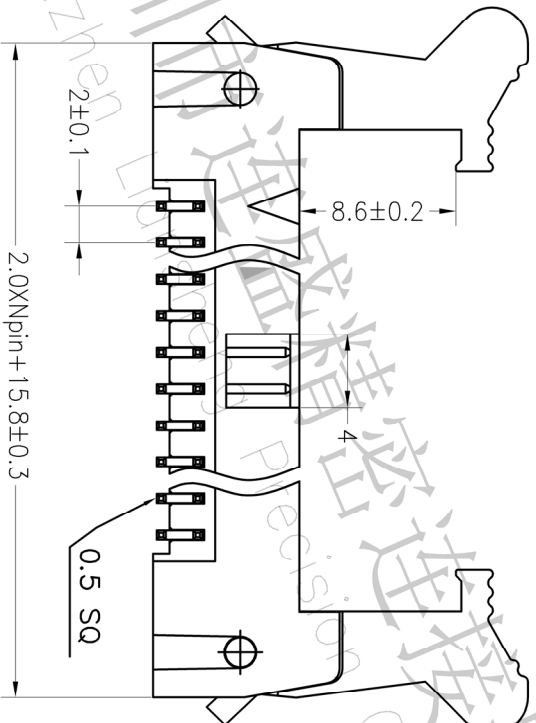
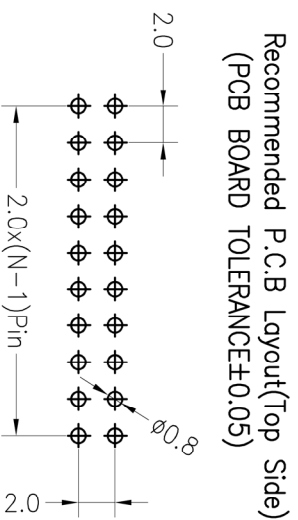
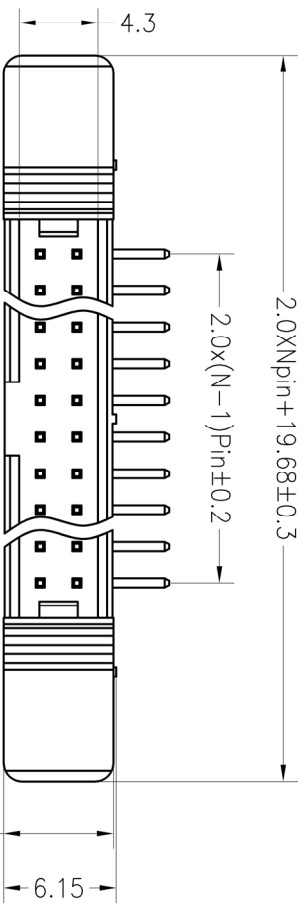


RoHS

SPECIFICATIONS

Rated Current: 1.50AMP
 Contact Resistance: 20mΩ Max
 Withstand Voltage: 500V AC/DC
 Insulation Resistance: 800MΩ Min
 Operation Temperature: -40°C to +105°C

Contact Material: Brass
 Contact Plating: Au or Sn Over Ni
 Insulator Material: Polyester (UL94V-0)
 Standard: PA6T
 Max. Processing Temp: 230°C for 30-60 seconds
 (260°C for 10 seconds)



Ordering Information

N	X	XXX	X	XX	X	X	X	XXXX
产品类别	插接	总长度	产品形态	电接长度	绝缘材料	塑胶颜色	线材规格	材料号
N=手推	1=1.27 2=2.54 3=3.81 4=3.96 5=1.2 7=4.38 A=1.27*2.54	018=18"	1=DP 2=SH 3=SH 4=SH 5=绝缘漆	00=普通 01=1" 02=2" 03=3" SS=绝缘	1=PBT 2=LCP 3=PA6T 4=PA6T 5=PA6T 9=PA6T	1=黑色 2=灰色 3=白色 4=蓝色 5=黄色 7=米白色	1=标准 2=长耳 3=短耳 4=中耳	2001-9999

Dimension antitheses list						
ITEM	PB	PC	PW	H	W	
001						
002						

 深圳市连盛精密连接器有限公司
 Shenzhen Liansheng Precision Connector Co., Ltd.

OPERATION		DRAW		SCALE		FIT		PART NO.	
X.X	±0.30	X.X	±0.30	UNIT	mm	1/1	◆	2.0EDH Npin 90° 长耳	
X.XX	±0.20	CHECK		SIZE	A4	SHEET		TITLE:	
X.XXX	±0.10	APPROVE		PROJ.	◆	1/1			
ANGLE	±3°	CHANGE		DIM		TOL			
REV	DATE	MODIFICATION DESCRIPTION		DIM		TOL			
A0	2012.10.05	NEW DRAWING							
1									