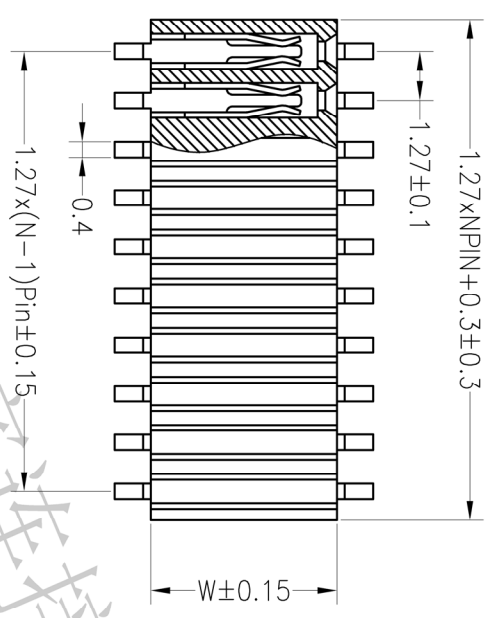


1 2 3 4 5 6 7 8 9

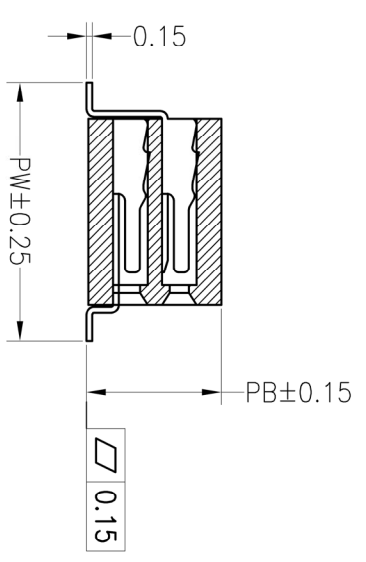
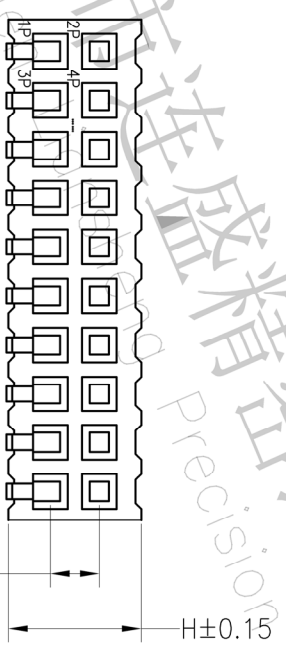
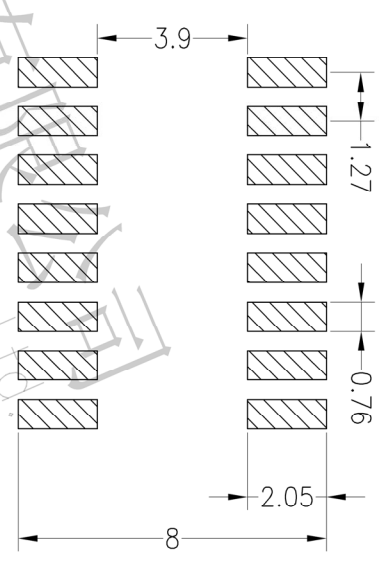
RoHS

SPECIFICATIONS
 Rated Current:1.0AMP
 Contact Resistance:20mΩ Max
 Withstand Voltage:500V AC/DC
 Insulation Resistance:1000MΩ Min
 Operation Temperature:-40°c to +105°c

Contact Material:Phosphor Bronze
 Contact Plating:Au Over Ni
 Insulator Material:Polyester(UL94V-0)
 Standard: PA6T
 Max.Processing Temp: 230°C for 30-60 seconds
 (260°C for 10 seconds)



Recommended P.C.B Layout(Top Side)
 (PCB BOARD TOLERANCE±0.05)

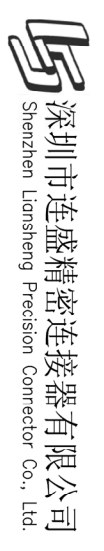


Ordering Information

F	X	Q	X	XX	X	XX	X	XXXX	
产品类别 F-插母	间距 1=1.27 2=2.0 3=2.54 5=1.0 6=0.8 7=5.08 A=1.27*2.54	塑胶壳体 Q=3.4	排数 1=单排 2=双排 3=三排 4=四排	单排PIN数 1=40P	产品规格 1=DIP 2=SN 3=SMT 5=贴片 6=侧插SMT 7=侧插90度	绝缘材料 1=PBT 2=ICP 3=PS 4=PA6 5=PA6T 9=PA9T	电镀厚度 00=标准 01=1u" 02=3u" 03=3u" SN=镀锡	包装方式 1=卷装 2=箱装 3=桶装 4=袋装 5=盒装	序列号

Dimension antitheses list

ITEM	PB	PC	PW	H	W	L
001	3.50	7.00	3.45	4.83		
002						



OPERATION		DRAW		SCALE		FIT		PART NO.	
X.X	±0.30	X.X	±0.30	UNIT	mm	A4	1/1	1.27FH 2XNP 侧插 SMT H=3.5	
X.XX	±0.20	CHECK		SIZE	A4	SHEET		TITLE:	
X.XXX	±0.10	APPROVE		PROJ.		1/1		1.27FH 2XNP 侧插 SMT H=3.5	
Angle	±3°	CHANGE		DIM		TOL			
REV	DATE	MODIFICATION DESCRIPTION		DIM		TOL			
A0	2012.04.18	NEW DRAWING							
1									