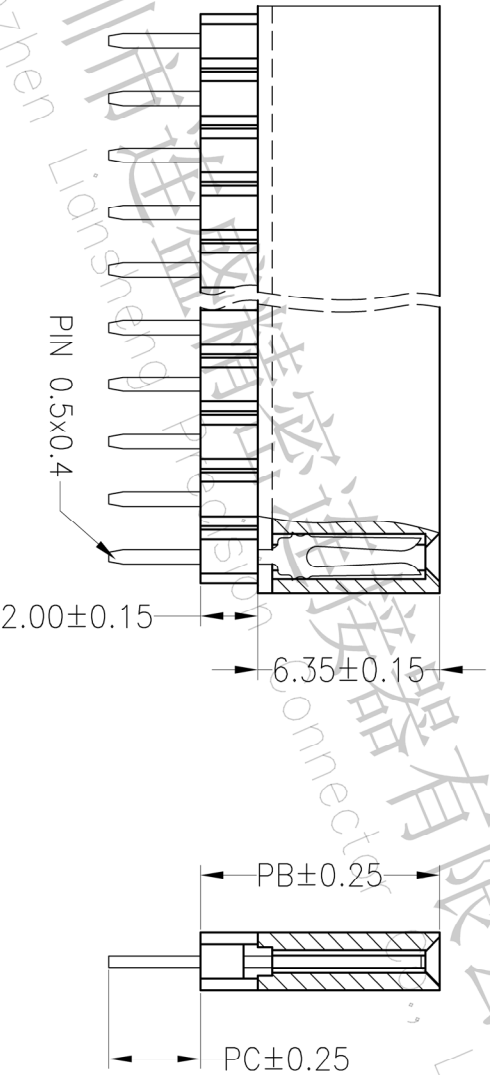
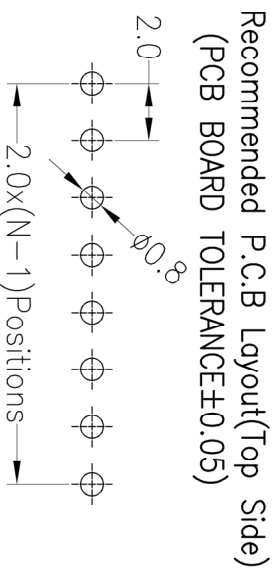
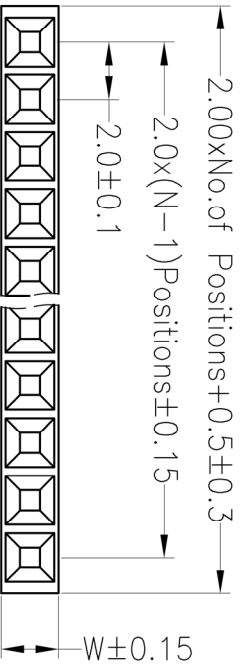


RoHS

SPECIFICATIONS

Rated Current:1.5AMP
 Contact Resistance:20mΩ Max
 Withstand Voltage:500V AC/DC
 Insulation Resistance:1000MΩ Min
 Operation Temperature:-40°c to +105°c

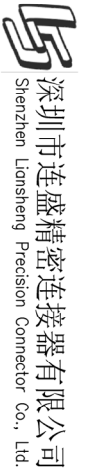
Contact Material:Brass
 Contact Plating:Au or Sn Over Ni
 Insulator Material:Polyester(UL94V-0)
 Standard: PA6T
 Max.Processing Temp: 230°C for 30-60 seconds
 (260°C for 10 seconds)



Ordering Information

F	X	X	X	XX	X	XX	XX	X	XXXX
产品型号	间距	接触高度	接触长度	接触间距	产品用途	绝缘材料	电鍍材料	电鍍厚度	包装形式
2-27	2.00	Re:0.35	1-40P	1-40P	2-PPS	1-40PT	00T-000	0.05±0.01	1-管装
2-25A	2.00	Re:0.35	3-33P	3-33P	3-PPS	00T-000	0.05±0.01	0.05±0.01	2-管装
5-10	4+10P	Re:0.35	1-40P	1-40P	4-PPS	00T-000	0.05±0.01	0.05±0.01	3-管装
6-9	6+9P	Re:0.35	1-40P	1-40P	6-PPS	00T-000	0.05±0.01	0.05±0.01	4-管装
AT-27x25A	2.00	Re:0.35	1-40P	1-40P	9-PPS	00T-000	0.05±0.01	0.05±0.01	5-管装

ITEM	PB	PC	PW	H	W
001	8.35	3.0		6.35	2.00
002					



深圳市连盛精密连接器有限公司
 Shenzhen Liansheng Precision Connector Co., Ltd.

REV	DATE	MODIFICATION DESCRIPTION	CHANGE	OPERATION		DRAW		SCALE		FIT	PART NO.	TITLE:
				X.X	±0.30	CHECK	APPROVE	UNIT	mm			
A0	2012.04.18	NEW DRAWING		X.XX	±0.20	CHECK	APPROVE					
1				Angle	±3°							
				DIM	TOL							

Shenzhen Liansheng Precision Connector Co., Ltd.