

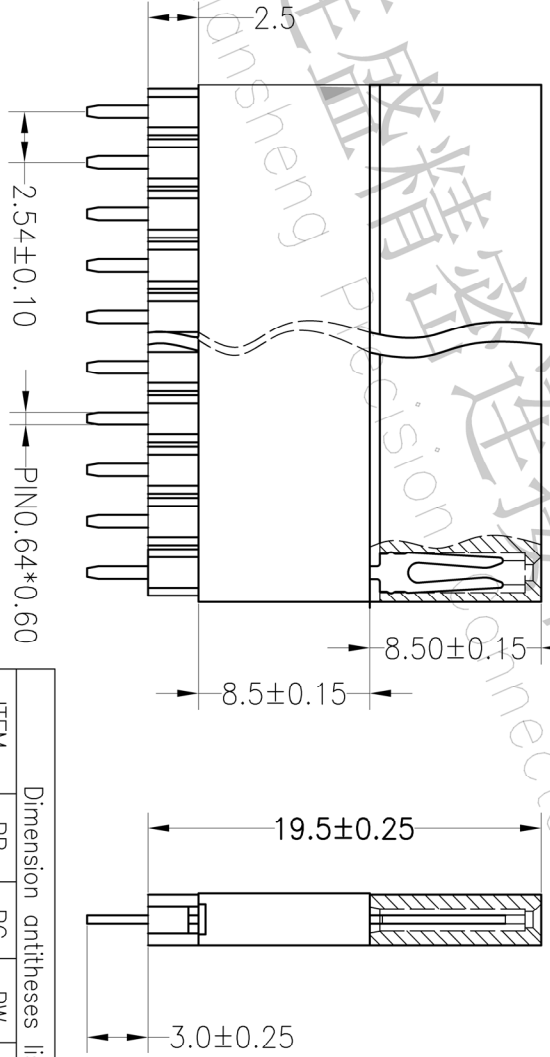
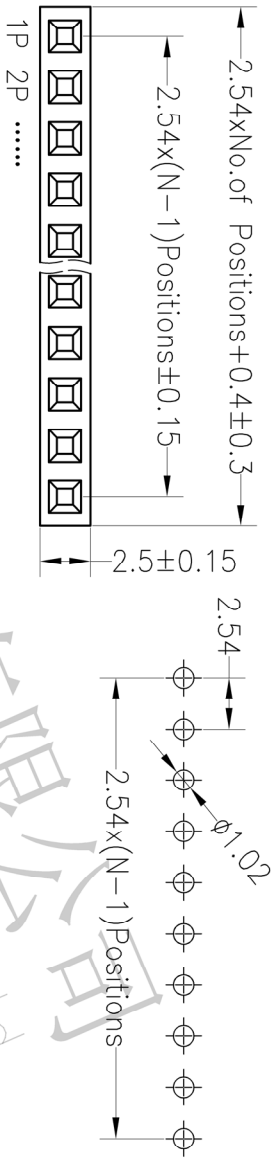
RoHS

SPECIFICATIONS

Rated Current: 3.0AMP
 Contact Resistance: 20mΩ Max
 Withstand Voltage: 1000V AC/DC
 Insulation Resistance: 1000MΩ Min
 Operation Temperature: -40°C to +105°C

Contact Material: Brass
 Contact Plating: Au Over Ni
 Insulator Material: Polyester (UL94V-0)
 Standard: PA6T
 Max. Processing Temp: 230°C for 30-60 seconds
 (260°C for 10 seconds)

Recommended P.C.B Layout (Top Side)
 (PCB BOARD TOLERANCE ±0.05)



Ordering Information

F	X	N	X	XX	X	X	XX	X	XXXX
产品规格	插孔间距	插孔数	插孔直径	产品材料	绝缘材料	表面处理	电镀厚度	电镀层数	零件号
F-1插排	1.41 27	N=8.5	1.4mm	PA6T	1=FRP	1=PT	0.02-0.03	1=镀镍	
2=镀金	2=24K	2=24K	1=0.02	2=UL94V-0	2=UL94V-0	2=UL94V-0	0.01-0.02	2=镀金	
3=镀银	3=30K	3=30K	1=0.02	3=UL94V-0	3=UL94V-0	3=UL94V-0	0.01-0.02	3=镀银	
4=镀锡	4=40K	4=40K	1=0.02	4=UL94V-0	4=UL94V-0	4=UL94V-0	0.01-0.02	4=镀锡	
5=镀铜	5=50K	5=50K	1=0.02	5=UL94V-0	5=UL94V-0	5=UL94V-0	0.01-0.02	5=镀铜	
6=无镀	6=60K	6=60K	1=0.02	6=UL94V-0	6=UL94V-0	6=UL94V-0	0.01-0.02	6=无镀	
7=镀钨	7=70K	7=70K	1=0.02	7=UL94V-0	7=UL94V-0	7=UL94V-0	0.01-0.02	7=镀钨	
8=镀钼	8=80K	8=80K	1=0.02	8=UL94V-0	8=UL94V-0	8=UL94V-0	0.01-0.02	8=镀钼	
9=镀钛	9=90K	9=90K	1=0.02	9=UL94V-0	9=UL94V-0	9=UL94V-0	0.01-0.02	9=镀钛	

ITEM	PB	PC	PW	H	W
001					
002					



深圳市连盛精密连接器有限公司
 Shenzhen Liansheng Precision Connector Co., Ltd.

OPERATION		DRAW		SCALE		FIT		PART NO.	
X.X	±0.30			UNIT	mm				
X.XX	±0.20	CHECK		SIZE	A4				
X.XXX	±0.10			SHEET	1/1			TITLE:	2.54FH 3H=8.5+8.5+2.5 1xNpin 180°
REV	DATE	MODIFICATION DESCRIPTION		CHANGE	DIM	TOL	APPROVE	PROJ.	
1	2012.03.28	NEW DRAWING							