

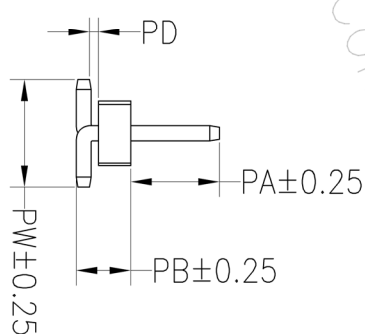
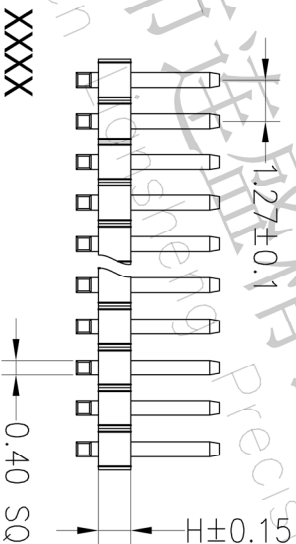
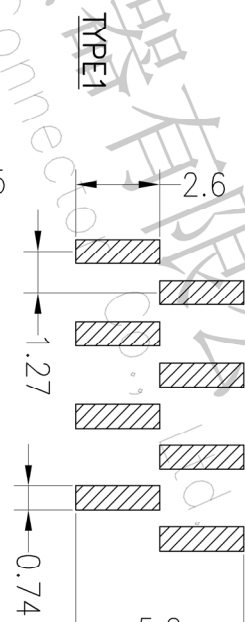
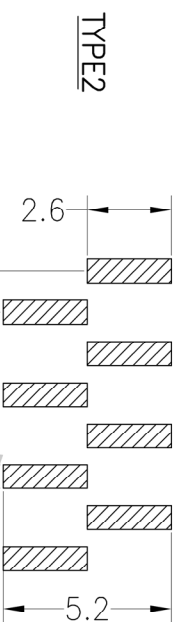
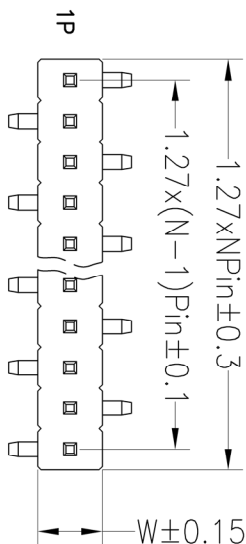
ROHS

SPECIFICATIONS

Rated Current:1.0AMP
 Contact Resistance:20mΩ Max
 Withstand Voltage:500V AC/DC
 Insulation Resistance:1000MΩ Min
 Operation Temperature:-40°c to +105°c

Contact Material:Brass
 Contact Plating:Au or Sn Over Ni
 Insulator Material:Polyester(UL94V-0)
 Standard: PA6T
 Max.Processing Temp: 230°C for 30-60 seconds
 (260°C for 10 seconds)

Recommended P.C.B Layout(Top Side)
 (PCB BOARD TOLERANCE±0.05)



Ordering Information

P 1 X 1 XX 3 5 XX X XXXX

产品类型 P=排针
 间距 1=1.27
 塑胶高度 A=1.0
 B=1.5
 C=2.0
 D=2.5
 排数 1=单排
 2=双排
 单排Pin数 1-40P
 产品形态 1=DIP
 2=FA
 3=SMT
 4=SH
 5=贴片脚
 塑胶材料 5=PA6T
 电镀厚度 00=常规
 01=1u"
 02=2u"
 03=3u"
 包装方式 1=管装
 2=卷装
 3=盘装
 4=袋装
 5=盒装

Dimension antitheses list						
ITEM	PA	PB	PW	PD	H	W
001	3.00	4.50	0.10	1.0/1.5/2.0/2.5	2.0/2.4/2.4/2.5	
Alternate						



深圳市连盛精密连接器有限公司
 Shenzhen Liansheng Precision Connector Co., Ltd.

OPERATION		DRAW		SCALE		FIT		PART NO.	
X.X	±0.30			UNIT	mm				
X.XX	±0.20	CHECK		SIZE	A4				
X.XXX	±0.10			SHEET	1/1				
Angle	±3°	APPROVE		PROJ.					
DIM	TOL								

REV	DATE	MODIFICATION DESCRIPTION	CHANGE	TITLE:
A0	2012.03.28	NEW DRAWING		1.27PH 1xNpin SMT
1				