

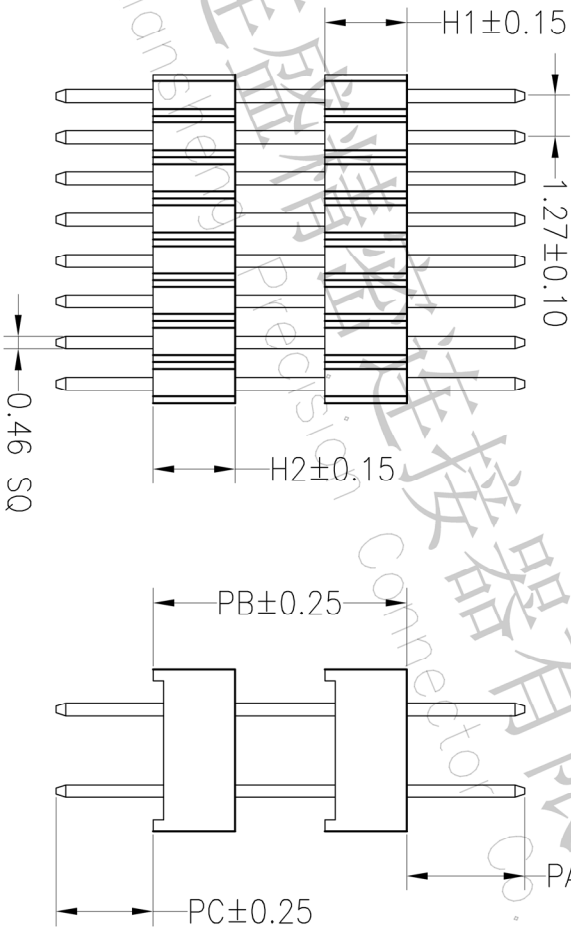
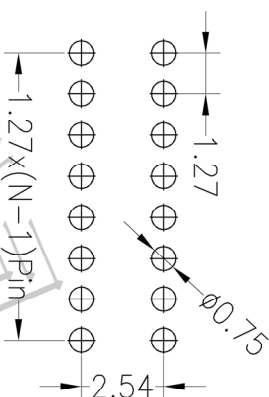
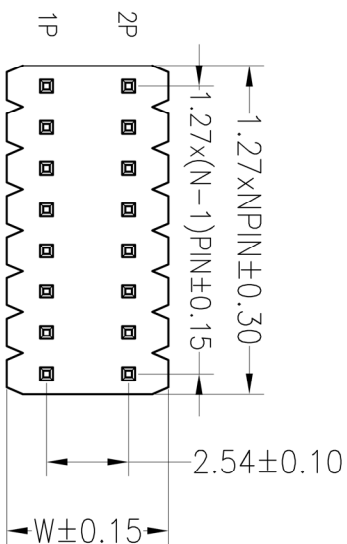
# RoHS

## SPECIFICATIONS

Rated Current:1.0AMP  
 Contact Resistance:20mΩ Max  
 Withstand Voltage:500V AC/DC  
 Insulation Resistance:1000MΩ Min  
 Operation Temperature:−40°c to +105°c

Contact Material:Brass  
 Contact Plating:Au or Sn Over Ni  
 Insulator Material:Polyester(UL94V−0)  
 Standard: PA6T  
 Max.Processing Temp: 230°C for 30−60 seconds  
 (260°C for 10 seconds)

Recommended P.C.B Layout(Top Side)  
 (PCB BOARD TOLERANCE±0.05)



## Ordering Information

P	X	X	X	XX	X	XX	X	XXXX
产品类型	间距	塑胶高度	排数	单排PIN数	产品形态	塑胶材料	电镀厚度	包装方式
P=排针	1=1.27	A=1.0	1=单排	1~40P	1=DIP	1=PB	0=常规	1=管装
	2=2.0	B=1.5	2=双排		2=RA	2=LCP	01=1u"	2=卷装
	3=2.54	C=2.0			3=SMT	3=PPS	02=2u"	3=盘装
	4=3.96	D=2.5			4=SH	4=PA46	03=3u"	4=袋装
	5=1.0				5=喇叭脚	5=PA6T		5=盒装
	A=1.27+2.54					9=PA9T		

Dimension antitheses list						
ITEM	PA	PB	PC	L	H1/H2	W
001	4.00	6.00	3.00	13.00	2.5	5.0
Alternate						

  
 深圳市连盛精密连接器有限公司  
 Shenzhen Liansheng Precision Connector Co., Ltd.

OPERATION		DRAW		SCALE		FIT		PART NO.	
X.X	±0.30			UNIT	mm				
X.XX	±0.20	CHECK		SIZE	A4				
X.XXX	±0.10			SHEET	1/1			TITLE:	1.27x2.5PH 2XNP 双塑 180度
Angle	±3°	APPROVE		PROJ.					
DIM	TOL								

REV	DATE	MODIFICATION DESCRIPTION	CHANGE					
1	2012.03.28	NEW DRAWING						