

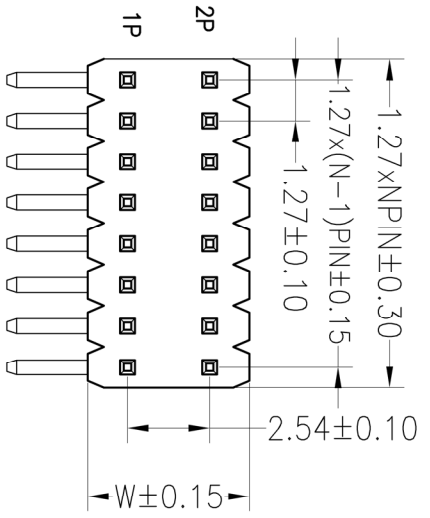
# ROHS

## SPECIFICATIONS

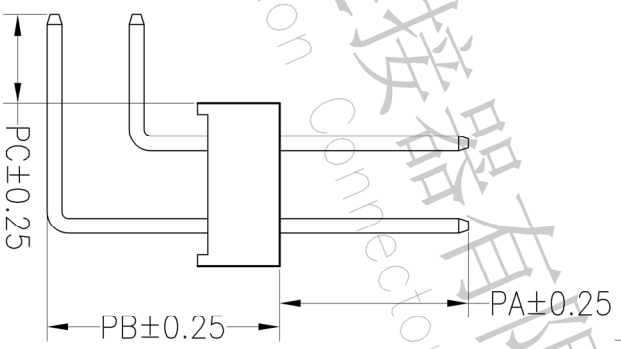
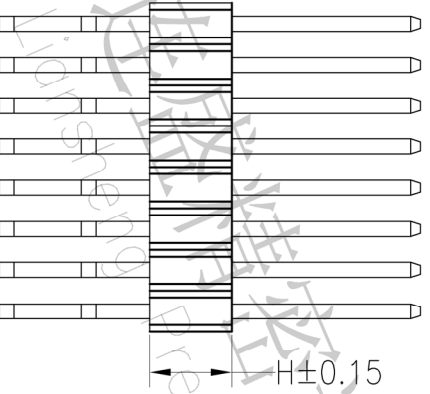
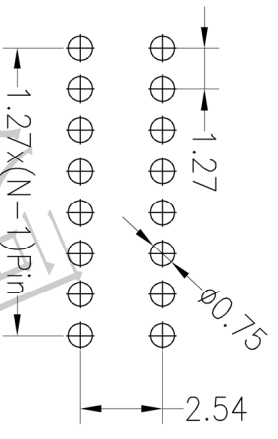
Rated Current:1.0AMP  
 Contact Resistance:20mΩ Max  
 Withstand Voltage:500V AC/DC  
 Insulation Resistance:1000MΩ Min  
 Operation Temperature:-40°c to +105°c

Contact Material:Brass  
 Contact Plating:Au or Sn Over Ni  
 Insulator Material:Polyester(UL94V-0)

Standard: PA6T  
 Max.Processing Temp: 230°C for 30-60 seconds  
 (260°C for 10 seconds)



Recommended P.C.B Layout(Top Side)  
 (PCB BOARD TOLERANCE±0.05)

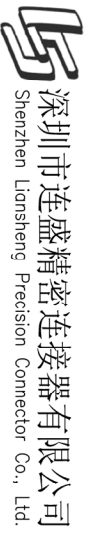


## Ordering Information

P X X X XX X X XX X XXX

产品类型 间距 塑胶高度 挂数 单排PIN数 产品形态 塑胶材料 电镀厚度 包装方式  
 P=排针 1=1.27 A=1.0 1=单排 1~40P 1=DIP 1=PBT 1=常宽 1=管装  
 2=2.0 B=1.5 2=双排 1~40P 2=LCP 2=01=1u" 2=卷装  
 3=2.54 C=2.0 3=SMT 3=PSS 02=2u" 3=盘装  
 4=3.98 D=2.5 4=SH 4=PA6 03=3u" 4=盘装  
 5=1.0 5=焊脚 5=PA6T 5=盘装  
 A=1.27\*2.54 9=PA9T 9=盘装

Dimension antiheses list						
ITEM	PA	PB	PC	L短	L长	H
001	2.80	6.30	2.80	10.50	15.50	2.5
Alternrate						5.0



深圳市连盛精密连接器有限公司  
 Shenzhen Liansheng Precision Connector Co., Ltd.

OPERATION		DRAW		SCALE		FIT		PART NO.	
X.X	±0.30			UNIT	mm				
X.XX	±0.20	CHECK		SIZE	A4				
X.XXX	±0.10			SHEET	1/1				
Angle	±3°	APPROVE		PROJ.				TITLE:	1.27x2.5PH 2XNP 90度
DIM	TOL								