

# RoHS

## SPECIFICATIONS

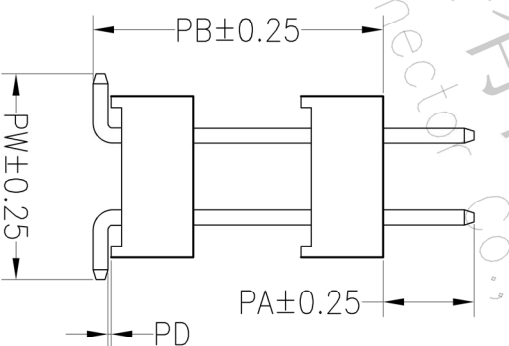
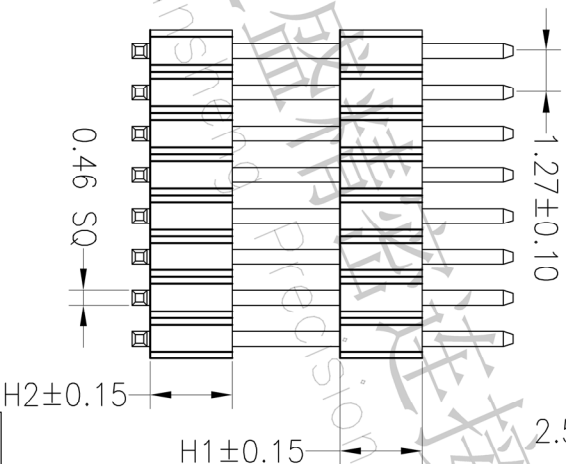
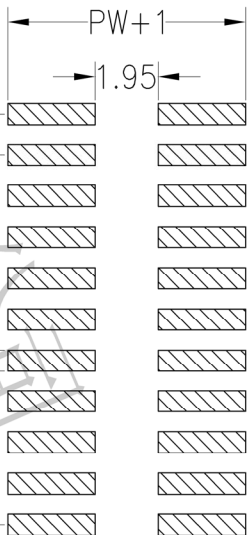
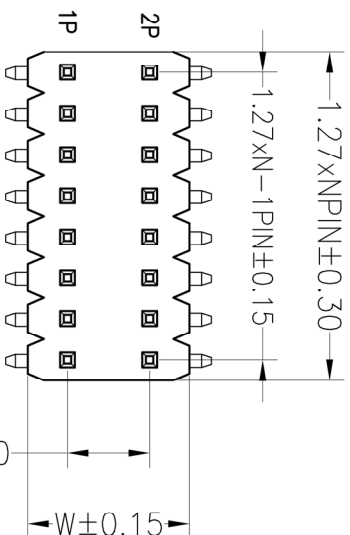
Rated Current:1.0AMP  
 Contact Resistance:20mΩ Max  
 Withstand Voltage:500V AC/DC  
 Insulation Resistance:1000MΩ Min  
 Operation Temperature: -40°C to +105°C

Contact Material: Brass  
 Contact Plating: Au or Sn Over Ni  
 Insulator Material: Polyester (UL94V-0)  
 Standard: PA6T  
 Max. Processing Temp: 230°C for 30-60 seconds  
 (260°C for 10 seconds)


## Ordering Information

P X X X X XX X X XX X X XXXX

产品类型 P=排针  
 间距 1=1.27 A=1.0  
 2=2.0 B=1.5  
 3=2.54 C=2.0  
 4=3.96 D=2.5  
 5=1.0  
 A=1.27\*2.54  
 塑壳高度  
 1=单排  
 2=双排  
 插数  
 1~40P  
 产品形态  
 1=DIP  
 2=RA  
 3=SMT  
 4=SH  
 5=接脚  
 塑胶材料  
 1=BT  
 2=PC  
 3=PPS  
 4=PA46  
 5=PA6T  
 9=PA9T  
 电镀厚度  
 00=带锡  
 01=1u"  
 02=2u"  
 03=3u"  
 包装方式  
 1=管装  
 2=卷装  
 3=盘装  
 4=袋装  
 5=盘装  
 序列号



ITEM	PA	PB	PW	PD	L	H1/H2	W
001	5.00	7.00	7.50	0.10	14.00	2.5	5.0

  
 深圳市连盛精密连接器有限公司  
 Shenzhen Liansheng Precision Connector Co., Ltd.

OPERATION		DRAW		SCALE		FIT		PART NO.	
X.X	±0.30	CHECK		UNIT	mm	SIZE	A4	TITLE:	
X.XX	±0.20	CHECK		SHEET	1/1	1.27x2.5PH 2XNP 双塑 SMT		DATE	
X.XXX	±0.10	CHECK		PROJ.		1.27x2.5PH 2XNP 双塑 SMT		MODIFICATION DESCRIPTION	
Angle	±3°	APPROVE		DRAW		APPROVE		CHANGE	
DIM	TOL	APPROVE		DRAW		APPROVE		CHANGE	