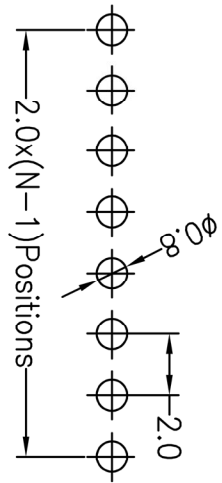
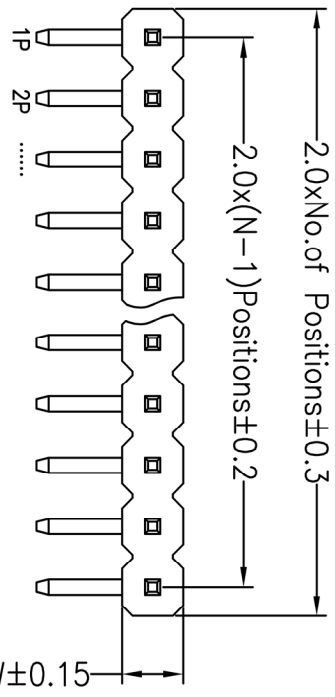


RoHS

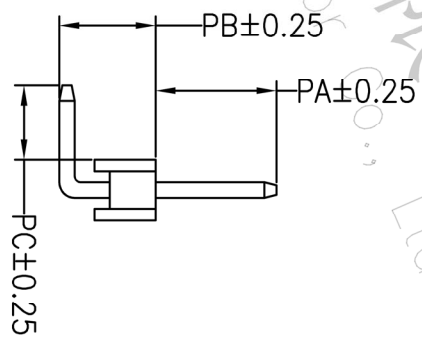
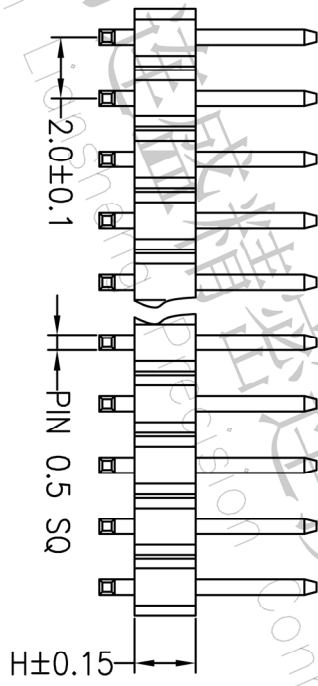
SPECIFICATIONS

Rated Current:1.5AMP
 Contact Resistance:20mΩ Max
 Withstand Voltage:500V AC/DC
 Insulation Resistance:1000MΩ Min
 Operation Temperature:-40°c to +105°c

Contact Material:Brass
 Contact Plating:Au or Sn Over Ni
 Insulator Material:Polyester(UL94V-0)
 Standard: PA6T
 Max.Processing Temp: 230°C for 30-60 seconds
 (260°C for 5 seconds)



Recommended P.C.B Layout(Top Side)
 (PCB BOARD TOLERANCE±0.05)



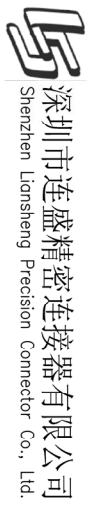
Ordering Information

P	X	X	X	XX	X	X	XX	X	XXXX
---	---	---	---	----	---	---	----	---	------

产品类别: 1=1.27 间距, 2=2.0, 3=2.54, 4=3.96, 5=1.0, A=1.27*2.54
 塑胶厚度: A=1.0, B=1.5, C=2.0, D=2.5
 排数: 1=单排, 2=双排
 单排PIN数: 1-40P
 产品形态: 1=DIP, 2=PA, 3=SMT, 4=SH, 5=表面贴
 塑胶材料: 1=PBT, 2=LCP, 3=PPS, 4=PA46, 5=PA6T, 9=PA9T
 电缆厚度: 00=常规, 01=U", 02=2U", 03=3U"
 包装方式: 1=管装, 2=卷装, 3=盘装, 4=袋装, 5=盒装
 序列号: XXXX

ITEM	PA	PB	PW	PC	L	H	W
001	4.00	3.15	2.80	10.50	2.0	2.0	

Alternate



深圳市连盛精密连接器有限公司
 Shenzhen Liansheng Precision Connector Co., Ltd.

OPERATION		DRAW		SCALE		FIT		PART NO.	
X.X	±0.30	X.XX	±0.20	UNIT	mm	SIZE	A4	TITLE:	
X.XXX	±0.10	CHECK		SHEET	1/1	2.0PH 1XNP 90度			
Angle	±3°	APPROVE		PROJ.					
DIM	TOL								