

# RoHS

## SPECIFICATIONS

Rated Current:1.5AMP

Contact Resistance:20mΩ Max

Withstand Voltage:500V AC/DC

Insulation Resistance:1000MΩ Min

Operation Temperature:-40°c to +105°c

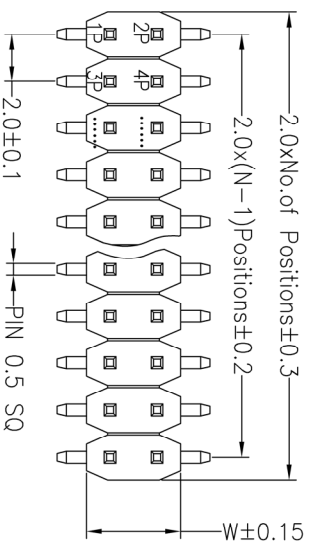
Contact Material:Brass

Contact Plating:Au or Sn Over Ni

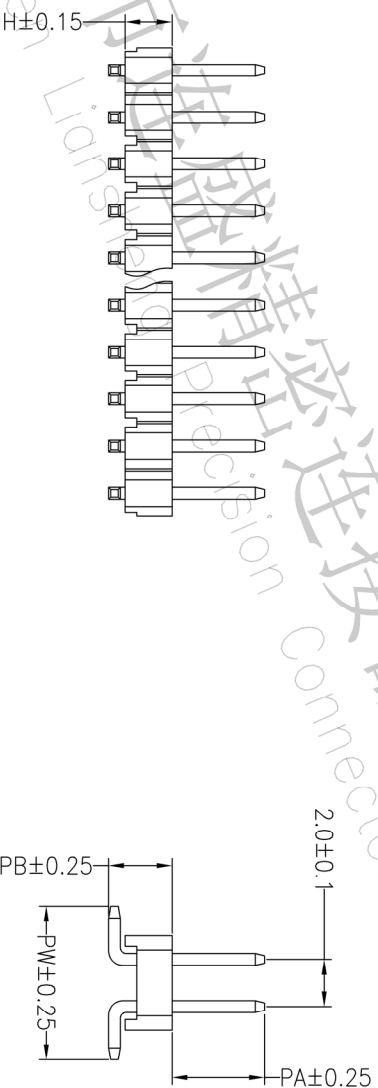
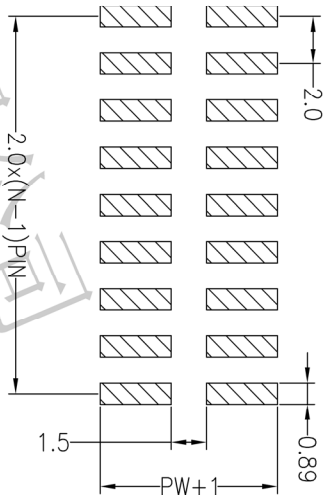
Insulator Material:Polyester(UL94V-0)

Standard: PA6T

Max.Processing Temp: 230°C for 30-60 seconds  
(260°C for 5 seconds)



Recommended P.C.B Layout(Top Side)  
(PCB BOARD TOLERANCE±0.05)



## Ordering Information

P	X	X	X	XX	X	X	XX	X	XXXX
产品类型	间距	塑胶壳体	镀层	单排PIN数	产品形态	塑胶材料	电镀厚度	包装方式	序列号
P-排针	1~1.27	A=10	1=单排	1~40P	1-DIP	1=PBT	00=高度	1=管装	
	2=2.0	B=15	2=双排		2-RN	2=ICP	01=1u"	2=盘装	
	3=2.54	C=20			3-SMT	3=FPS	02=2u"	3=盘装	
	5=1.0	D=25			5=侧插	4=PA6G	03=3u"	4=袋装	
	A=1.27±0.54				9=PA6T	5=PA6T		5=盒装	

Dimension orintness list					
ITEM	PA	PB	PW	L	W
001	3.80	2.50	6.50	8.00	
Alternate					1.5/2.0
					4.0

 深圳市连盛精密连接器有限公司  
Shenzhen LianSheng Precision Connector Co., Ltd.

A

REV	DATE	MODIFICATION DESCRIPTION	CHANGE
A0	2012.04.11	NEW DRAWING	

OPERATION		DRAW	
X.X	±0.30		
X.XX	±0.20	CHECK	
X.XXX	±0.10		
Angle	±3°	APPROVE	
DIM	TOL		

SCALE		FIT	
UNIT	mm		
SIZE	A4		
SHEET	1/1		
PROJ.			
PART NO.	TITLE: 2.0PH 2XNP SMT		

1

1	2	3	4
---	---	---	---

5	6	7	8
---	---	---	---

9
---