

RoHS

SPECIFICATIONS

Rated Current:3.0AMP
 Contact Resistance:20mΩ Max
 Withstand Voltage:1000V AC/DC
 Insulation Resistance:1000MΩ Min
 Operation Temperature: -40°c to +105°c

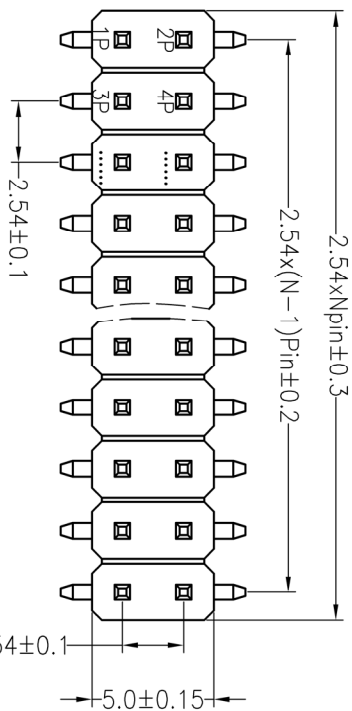
Contact Material:Brass

Contact Plating: Au or Sn Over Ni

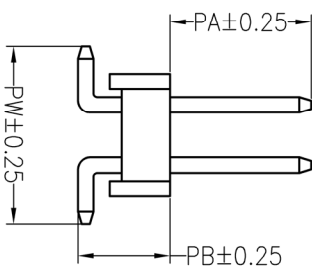
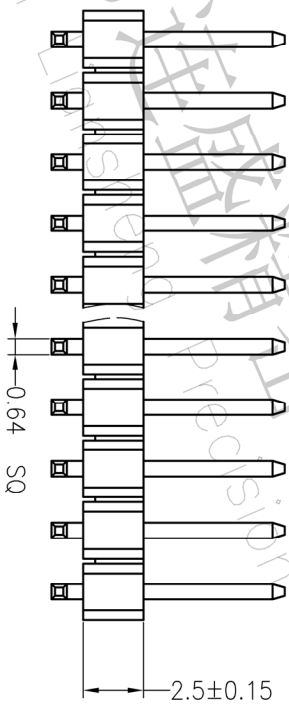
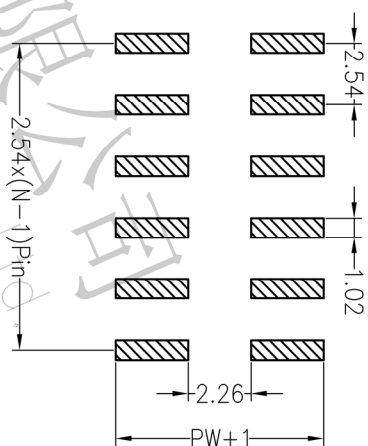
Insulator Material: Polyester(UL94V-0)

Standard: PA6T

Max.Processing Temp: 230°C for 30-60 seconds
 (260°C for 5 seconds)



Recommended P.C.B Layout(Top Side)
 (PCB BOARD TOLERANCE±0.05)



Ordering Information

P	X	X	X	XX	X	XX	X	XXXX	
产品类型 P-材料	长度 2=2.0 3=2.54 4=3.96 5=1.3 A=27*2.54	额定长度 A=1.0 B=1.5 C=1.5 D=2.5	排数 1=单排 2=双排 3=三排 4=四排	单排Pin数 1=40P	产品形态 1=29A 2=34A 3=34MT 4=5H 5=板贴脚	塑胶材料 1=PA6T 2=PA6S 4=PA6S 9=PA6T	电镀厚度 1=0=高镍 2=0=11 3=0=21 4=0=31 5=0=31	电镀厚度 1=0=高镍 2=0=11 3=0=21 4=0=31 5=0=31	包装方式 1=管装 2=盘装 3=盒装 4=袋装 5=盘装

Dimension antiheses list									
ITEM	PA	PB	PW	L1	L2	L3	H	W	
001	6.80	3.20	7.50	11.80			2.5	5.0	
Attenuate									

深圳市连盛精密连接器有限公司
 Shenzhen Liansheng Precision Connector Co., Ltd.

OPERATION		DRAW		SCALE		FIT		PART NO.	
X.X	±0.30	X.XX	±0.20	X.XXX	±0.10	X.XXX	±0.10	Angle	±3°
X.XX	±0.20	CHECK		CHECK		SIZE	A4	SHEET	1/1
REV	DATE	MODIFICATION DESCRIPTION	CHANGE	DIM	TOL	APPROVE	PROD.	TITLE:	2.54PH H=2.5 2XNP SMT=7.5 PA6. 8 PB3. 2 L=11.8 AU. 8U PA6T
1	2012.04.11	NEW DRAWING							