

RoHS

SPECIFICATIONS

Rated Current: 3.0AMP
 Contact Resistance: 20mΩ Max
 Withstand Voltage: 1000V AC/DC
 Insulation Resistance: 1000MΩ Min
 Operation Temperature: -40°C to +105°C

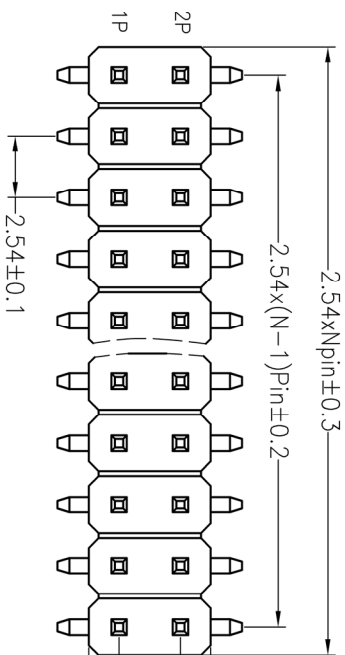
Contact Material: Brass

Contact Plating: Au or Sn Over Ni

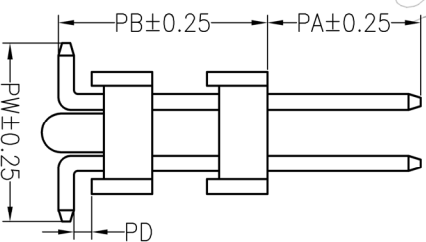
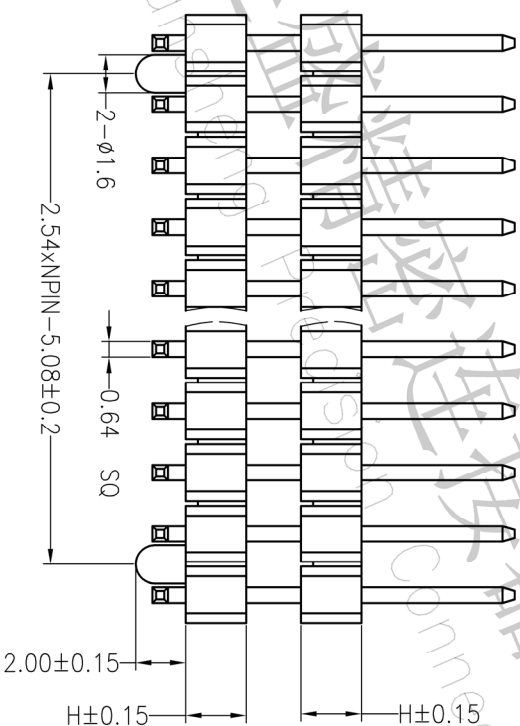
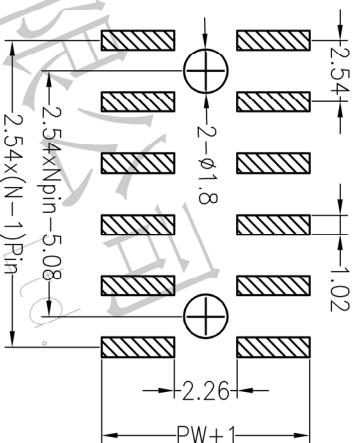
Insulator Material: Polyester (UL94V-0)

Standard: PA6T

Max. Processing Temp: 230°C for 30-60 seconds
 (260°C for 5 seconds)



Recommended P.C.B Layout (Top Side)
 (PCB BOARD TOLERANCE±0.05)



Ordering Information

P X X X XX X X XX X XXX

产品类别 1=1.27 2=2.0 4=2.54 5=1.0 A=1.0 B=1.5 C=2.0 D=2.5
 间距 1=单排 2=双排 3=三排 4=四排
 排数 1=单排 2=双排 3=三排 4=四排
 引脚间距 1=40P 2=50P 3=60P 4=80P 5=100P
 产品形态 1=0P 2=90° 3=90° 4=90° 5=90°
 塑胶材料 1=PBT 2=LCP 3=PPS 4=PA66 5=PA6T 9=PA9T
 电镀厚度 1=0-常规 2=1.1" 3=2.1" 4=3.1" 5=3.1"
 电镀厚度 1=常规 2=常规 3=常规 4=常规 5=常规
 包装方式 1=管装 2=盘装 3=盘装 4=盘装 5=盘装
 序列号

ITEM	PA	PB	PW	PD	L1	L2	H	W
001	12.50	8.20	7.80	0.00	22.70		2.5	5.0

Dimension antitheses: ist

Item	PA	PB	PW	PD	L1	L2	H	W
001	12.50	8.20	7.80	0.00	22.70		2.5	5.0

深圳市连盛精密连接器有限公司
 Shenzhen Liansheng Precision Connector Co., Ltd.

REV	DATE	MODIFICATION DESCRIPTION	CHANGE
A0	2012.04.11	NEW DRAWING	

OPERATION	DRAW	SCALE	FIT
X.X		UNIT	mm
X.XX	CHECK	SIZE	A4
X.XXX		SHEET	1/1
Angle	APPROVE	PROJ.	
±3°			
±0.10			
±0.20			
±0.30			

PART NO.	TITLE:
	2.54PH 2XNP 双塑 SMT