

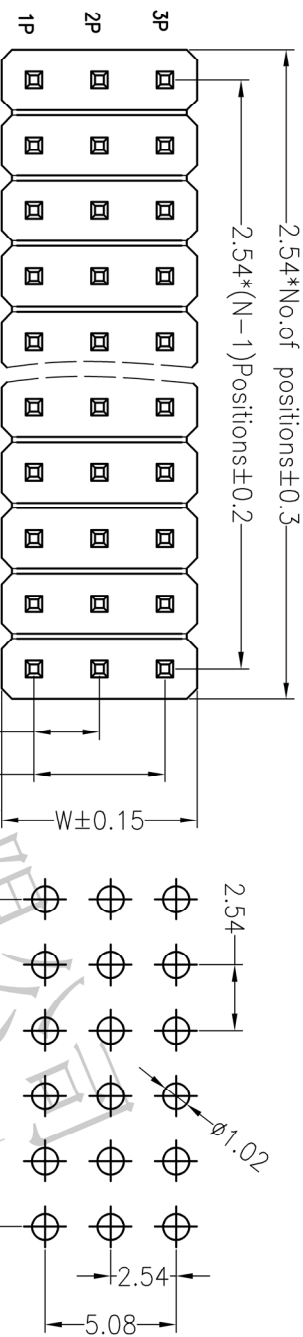
# ROHS

Recommended P.C.B Layout(Top Side)  
(PCB BOARD TOLERANCE±0.05)

## SPECIFICATIONS

Rated Current:3.0AMP  
Contact Resistance:20mΩ Max  
Withstand Voltage:1000V AC/DC  
Insulation Resistance:1000MΩ Min  
Operation Temperature:-40°c to +105°c

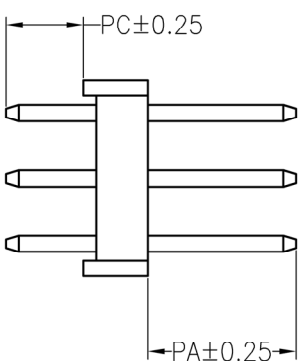
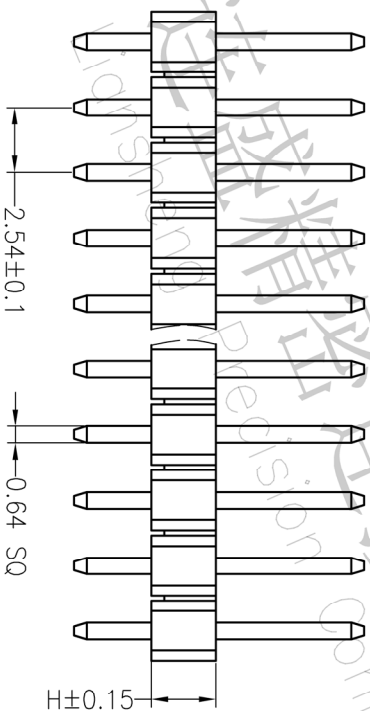
Contact Material:Brass  
Contact Plating:Au or Sn Over Ni  
Insulator Material:Polyester(UL94V-0)  
Standard: PA6T  
Max.Processing Temp: 230°C for 30-60 seconds  
(260°C for 10 seconds)



## Ordering Information

P X X X XX X X XX X XXXX

产品类别 1=同型 2=2.0 3=4.54 4=1.0 5=1.0  
尺寸规格 1=27 2=2.0 3=4.54 4=1.0 5=1.0  
材料 1=铜 2=黄铜 3=磷铜 4=明铜  
表面处理 1=镀金 2=镀锡 3=镀银 4=镀锌 5=镀镍  
产品形状 1=PA 2=PB 3=PC 4=PD 5=PE  
绝缘材料 1=PPS 2=PC 3=PA 4=PA6 5=PA6T  
电镀厚度 1=0.1 2=0.1 3=0.1 4=0.2 5=0.3  
包装方式 1=卷装 2=盘装 3=盘装 4=盘装 5=盘装  
序列号 XXXXX



ITEM	PA	PB	PC	PD	LI	L2	H	W
001	6.00	3.00			11.5		2.5	7.50

Alternate

**深圳市连盛精密连接器有限公司**  
Shenzhen Liansheng Precision Connector Co., Ltd.

REV	DATE	MODIFICATION DESCRIPTION	CHANGE	OPERATION	DRAW	SCALE	FIT	PART NO.	TITLE:
A0	2012.03.28	NEW DRAWING		X.X ±0.30	CHECK	mm	A4	2.54PH	3XNP 180度
1				X.XXX ±0.10 Angle ±3° DIM TOL	APPROVE		1/1		