

1 ROHS

2

3

4

5

6

7

8

9

ROHS PA

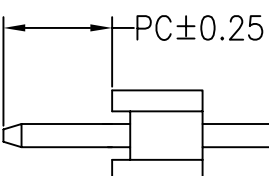
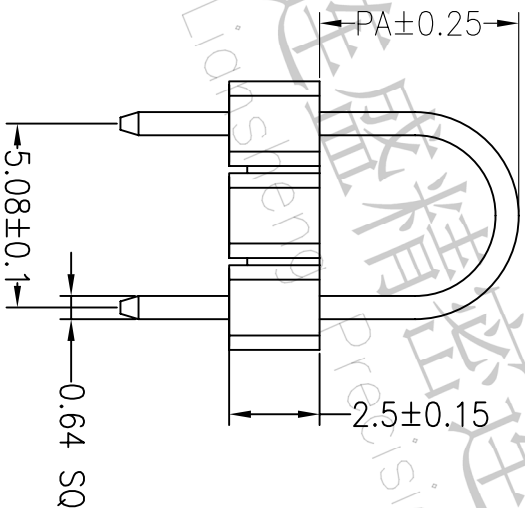
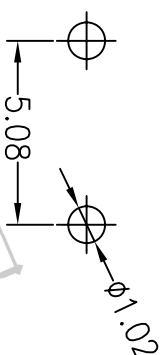
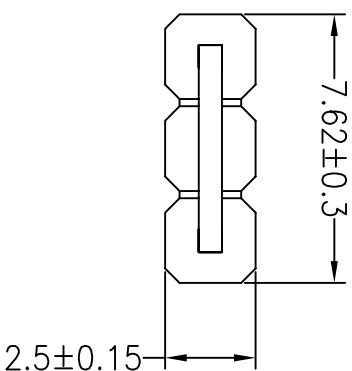
FILE NO: E392810

Recommended P.C.B Layout(Top Side)
(PCB BOARD TOLERANCE±0.05)

SPECIFICATIONS

Rated Current:3.0AMP
Contact Resistance:20mΩ Max
Withstand Voltage:1000V AC/DC
Insulation Resistance:1000MΩ Min
Operation Temperature:-40°c to +105°c

Contact Material:Brass
Contact Plating:鍍鎳 Over Ni
Insulator Material:Polyester(Ul94V-0)
Standard: PBT
Max.Processing Temp: 180 °C for 30-60 seconds
(200 °C for 10 seconds)



Dimension antitheses list		
ITEM	PA	PC
Standard	5.50	3.00
Alternate		

深圳市连盛精密连接器有限公司
Shenzhen Liansheng Precision Connector Co., Ltd.

G

1

2

3

4

5

6

7

8

9

A

REV A0

DATE 2026.03.31

MODIFICATION DESCRIPTION NEW DRAWING

CHANGE

DIM TOL

APPROVE

PROJ.

TITLE: 2.54mm H2.5mm 1*NP U型针

8

A

A

REV 1

DATE

MODIFICATION DESCRIPTION

CHANGE

DIM TOL

APPROVE

PROJ.

TITLE:

8

A

B

2

3

4

5

6

7

8

9

B

C

3

4

5

6

7

8

9

C

D

4

5

6

7

8

9

D

E

5

6

7

8

9

E

F

6

7

8

9

F

G