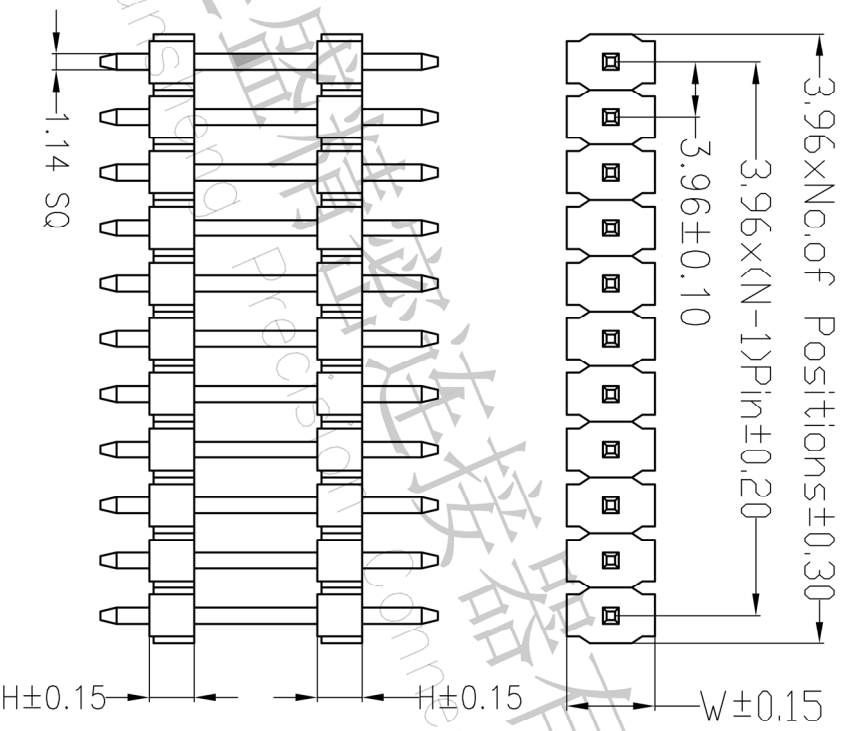


ROHS

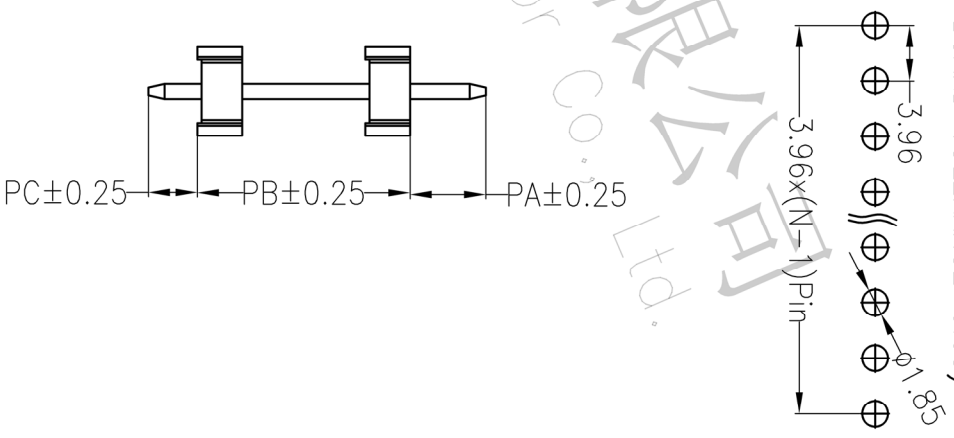
SPECIFICATIONS

Rated Current:5.0AMP
 Contact Resistance:20mΩ Max
 Withstand Voltage:500V AC/DC
 Insulation Resistance:1000MΩ Min
 Operation Temperature:-40°C to +105°C

Contact Material:Brass
 Contact Plating:Au or Sn Over Ni
 Insulator Material:Polyester(UL94V-0)
 Standard: LCP
 Max.Processing Temp: 230°C for 30-60 seconds
 (260°C for 5 seconds)



Recommended P.C.B Layout(Top Side)
 (PCB BOARD TOLERANCE±0.05)



Ordering Information

P	X	X	X	XX	X	XX	X	XXXX
产品类别	间距	插拔	接触Pin数	产品Pin数	绝缘材料	接触厚度	包装方式	序列号
A=1.27	A=1.0	1=单插	1=40P	1=3BT	0=0.1mm	1=管装	1=管装	
B=1.5	B=1.5	2=双插	2=80P	2=LCP	01=1mm	2=盘装	2=盘装	
C=2.54	C=2.54	3=三插	3=120P	3=SMI	02=2mm	3=盘装	3=盘装	
D=2.5	D=2.5	4=四插	4=160P	4=PM45	03=3mm	4=盘装	4=盘装	
S=1.0	S=1.0	5=五插	5=200P	5=PM6T	S=侧插	5=盘装	5=盘装	
7=2.08	A=1.27+2.54			9=PM9T	S=侧插			

ITEM	PA	PB	PC	L1	L2	L3	H	W
001	3.00	12.5	3.00	18.5			3.2	6.3

深圳市连盛精密连接器有限公司
 Shenzhen Liansheng Precision Connector Co., Ltd.

OPERATION		DRAW		SCALE		FIT		PART NO.	
X.X	±0.30			UNIT	mm				
X.XX	±0.20	CHECK		SIZE	A4	SHEET		TITLE:	
X.XXX	±0.10			APPROVE		PROJ.		3.96PH 1xNpin H3.2mm 180°	
Angle	±3°								
DIM	TOL								

REV	DATE	MODIFICATION DESCRIPTION	CHANGE
A0	2012.04.11	NEW DRAWING	

1	2	3	4	5	6	7	8	9
---	---	---	---	---	---	---	---	---