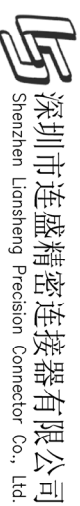
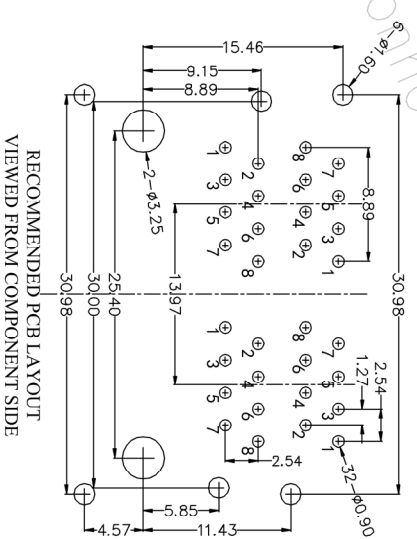
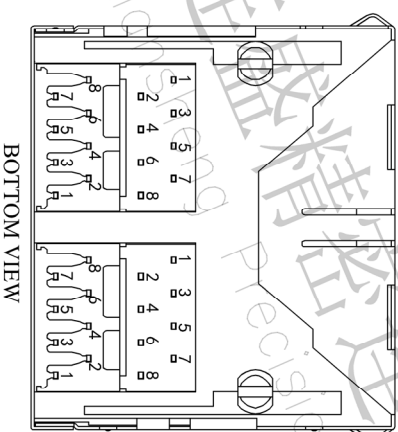
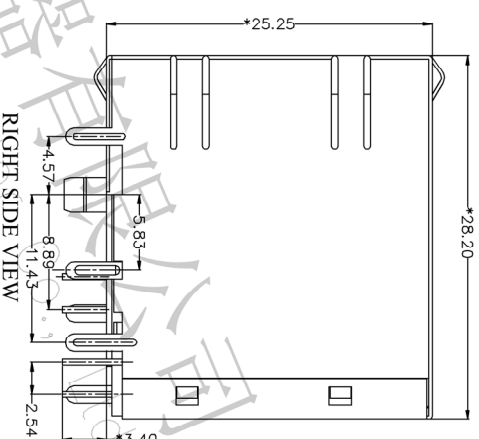
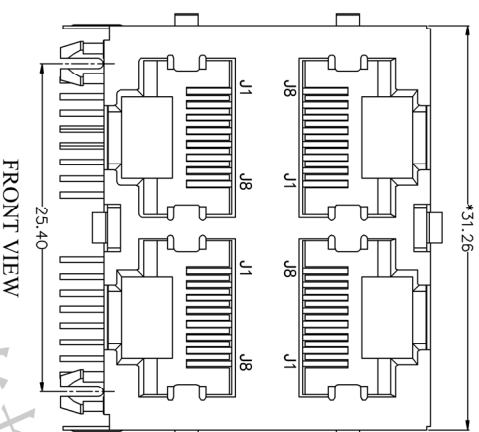
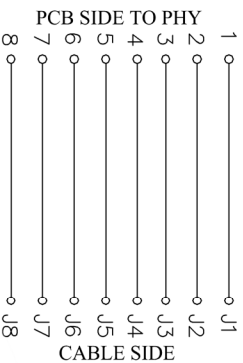


RoHS

MATERIAL:
 HOUSING: PBT, UL94V-0, BLACK.
 TERMINAL: PHOSPHOR BRONZE Ø=0.46MM, 0.6U" GOLD PLATING.
 SHIELD: C2680, T=0.20MM, 20 MIN NICKEL PLATING
 ON ALL AREA.

MACHANICAL:
 DURABILITY: 750 CYCLES MIN, 12.5MM/MINUTE.
 INSERTION FORCE: 2.2KG.F. MAX.
 RETENTION STRENGTH : 7.7KG.F. BETWEEN JACK AND PLUG.
 OPERATING TEMPERATURE: -40 ~ +85
 STORAGE TEMPERATURE: -40°C~+85°C.
 ALL CRITICAL DIMENSIONS WITH "mm"

ELECTRICAL:
 VOLTAGE: 125 VOLTS AC.
 CURRENT RATING : 1.5AMP.
 DIELECTRIC STRENGTH: 1000 VAC RMS 50HZ OR 60HZ, 1 MIN.
 INSULATION RESISTANCE: 500 MEGA OHMS MIN. INITIAL.
 AFTER 500V DC FOR 1 MINUTE.
 CONTACT RESISTANCE: SINGLE TERMINAL 30 MILLIOHMS MAX.
 INITIAL 50 MILLIOHMS MAX. AFTER
 DURABILITY TEST.



OPERATION		DRAW		SCALE	FIT	PART NO.	TITLE:
X.X	±0.30	X.XX	±0.20	UNIT	mm		
CHECK		CHECK		SIZE	A4	RJ45 2*2 8P8C 无灯带弹	R J45 2*2 8P8C 无灯带弹
X.XXX		±0.10		SHEET	1/1		
REV	DATE	MODIFICATION DESCRIPTION	CHANGE	DIM	TOL	APPROVE	PROJ.
1							
2							
3							
4							
5							
6							
7							
8							
9							

A

A

B

B

C

C

D

D

E

E

F

F

G

G