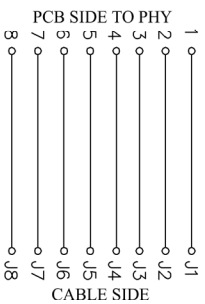


# RoHS

**MATERIAL:**  
HOUSING: PBT, UL94V-0, BLACK.  
TERMINAL: PHOSPHOR BRONZE 0-0.46MM, G/FU" GOLD PLATING.  
SHIELD: C2680, T=0.20MM, 20 MIN NICKEL PLATING  
ON ALL AREA.

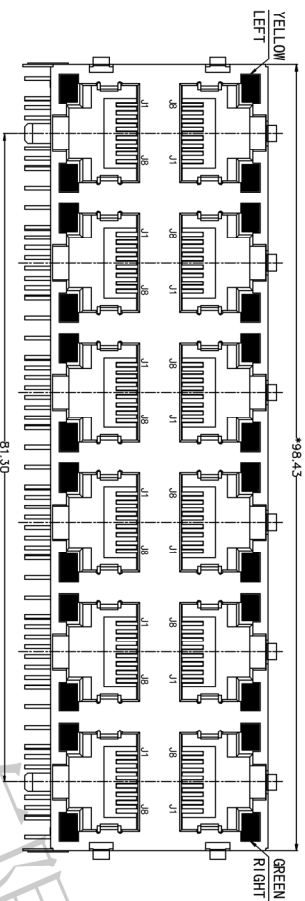
**MACHANICAL:**  
DURABILITY: 750 CYCLES MIN, 12.5MM/MINUTE.  
INSERTION FORCE: 2.2KG.F MAX.  
RETENTION STRENGTH: 1.77KG.F BETWEEN JACK AND PLUG. OPERATING  
TEMPERATURE: -40 ~ +85  
STORAGE TEMPERATURE: -40°C ~ +85°C.  
ALL CRITICAL DIMENSIONS WITH \*\*MM.

**ELECTRICAL:**  
VOLTAGE: 125 VOLTS AC.  
CURRENT RATING: 1.5AMP.  
DIELECTRIC STRENGTH: 1000 VAC RMS 50HZ OR 60HZ, 1 MIN.  
INSULATION RESISTANCE: 500 MEGA OHMS MIN, INITIAL  
AFTER 500V DCFOR 1 MINUTE.  
CONTACT RESISTANCE: SINGLE TERMINAL 30 MILLIOHMS MAX. AFTER  
INITIAL 50 MILLIOHMS MAX. AFTER  
DURABILITY TEST.

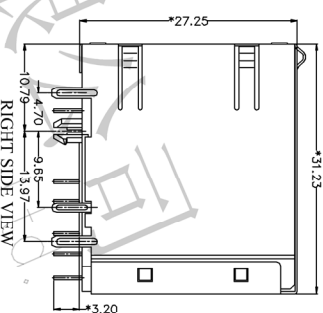


### LED Specification

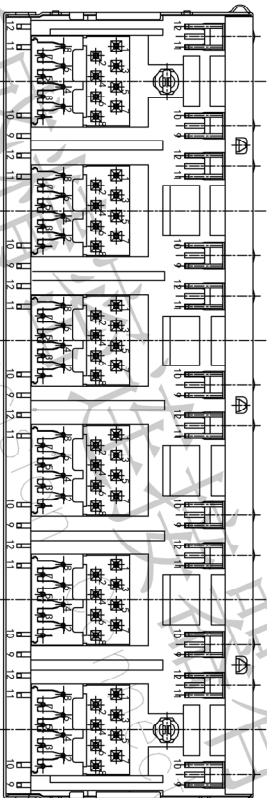
Standard LED Color	LED Wavelength	Forward(I)	Forward(V)
Green	565nm	20mA	1.8-2.8V
Yellow	585nm	20mA	1.8-2.8V



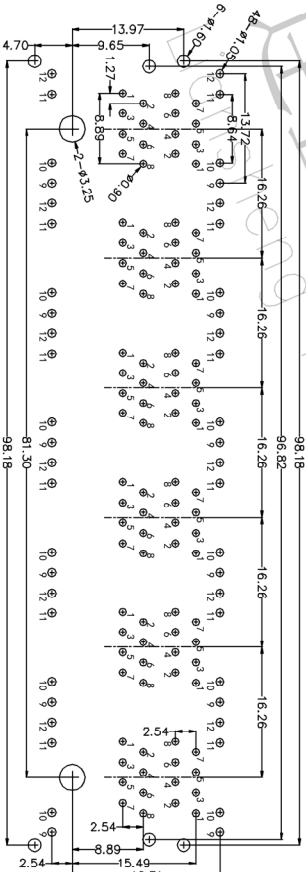
FRONT VIEW



RIGHT SIDE VIEW



BOTTOM VIEW



RECOMMENDED PCB LAYOUT  
VIEWED FROM COMPONENT SIDE

OPERATION		DRAW		SCALE		FIT	
X.X		±0.30		UNIT		mm	
X.XX		±0.20		CHECK		A4	
X.XXX		±0.10		SIZE		1/1	
Angle		±3°		SHEET		1/1	
DIM		TOL		APPROVE		PRD.	
CHANGE				PART NO.			
DATE				TITLE:			
MODIFICATION DESCRIPTION				R.J11 5921 2*6 8P8C			
NEW DRAWING							
2012.03.28							
REV							
A0							
A							

**深圳市连盛精密连接器有限公司**  
Shenzhen Liansheng Precision Connector Co., Ltd.