

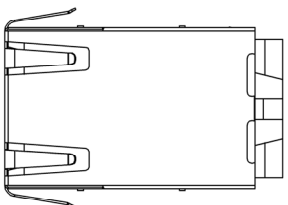
RoHS

MATERIAL:

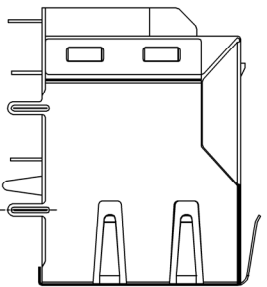
HOUSING: PBT,UL94V-0,BLACK.
 USB HOUSING: PBT,UL94V-0,BLACK.
 TERMINALS BRACKET: PBT,UL94V-0,BLACK.
 SHIELD: C2680,T=0.20MM,NICKEL PLATING ON ALL AREA.
 TERMINAL: PHOSPHOR BRONZE C5191,T=0.35MM,
 6U" GOLD PLATING ON CONTACT AREA.
 USB TERMINAL: PHOSPHOR BRONZE C5191,T=0.60MM,
 1U" GOLD PLATING ON CONTACT AREA.

MECHANICAL:

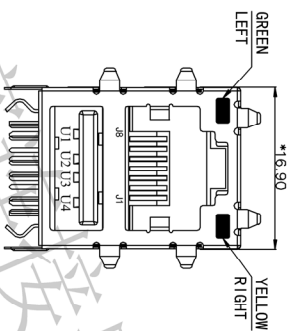
DURABILITY: 750 CYCLES MIN.
 MATING FORCE: 23N MAX.
 OPERATING TEMPERATURE: -40°C~+85°C.
 STORAGE TEMPERATURE: -40°C~+85°C.
 ALL CRITICAL DIMENSIONS WITH "mm"



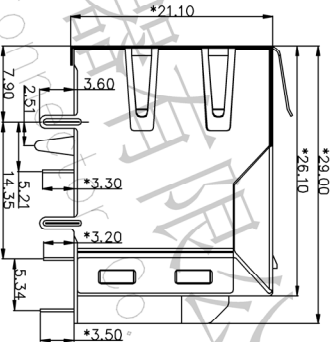
TOP VIEW



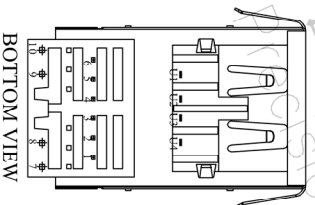
LEFT SIDE VIEW



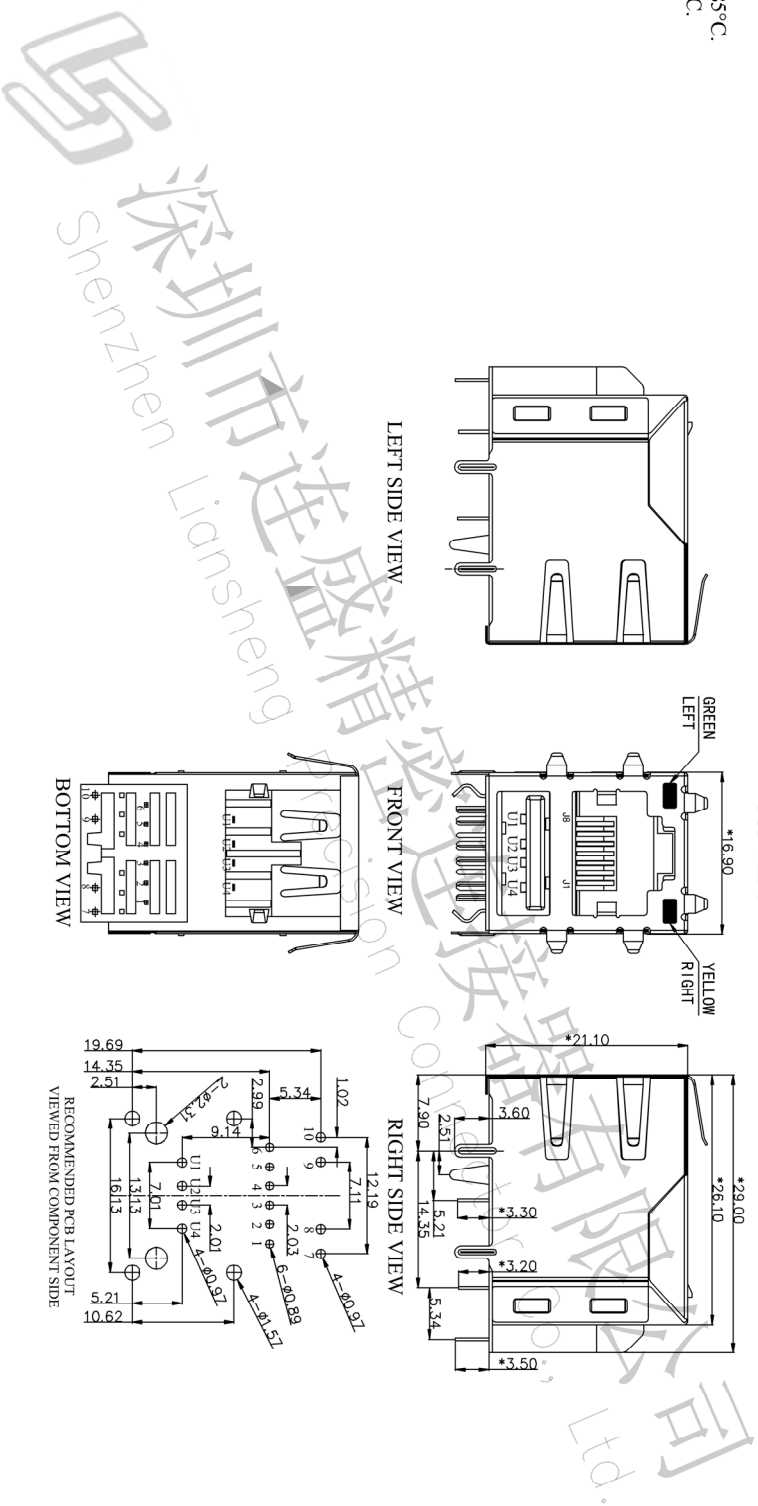
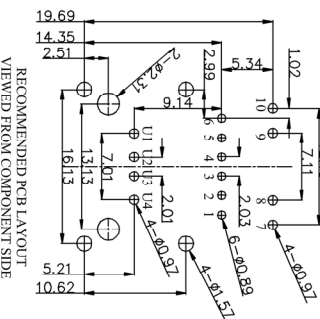
FRONT VIEW



RIGHT SIDE VIEW



BOTTOM VIEW



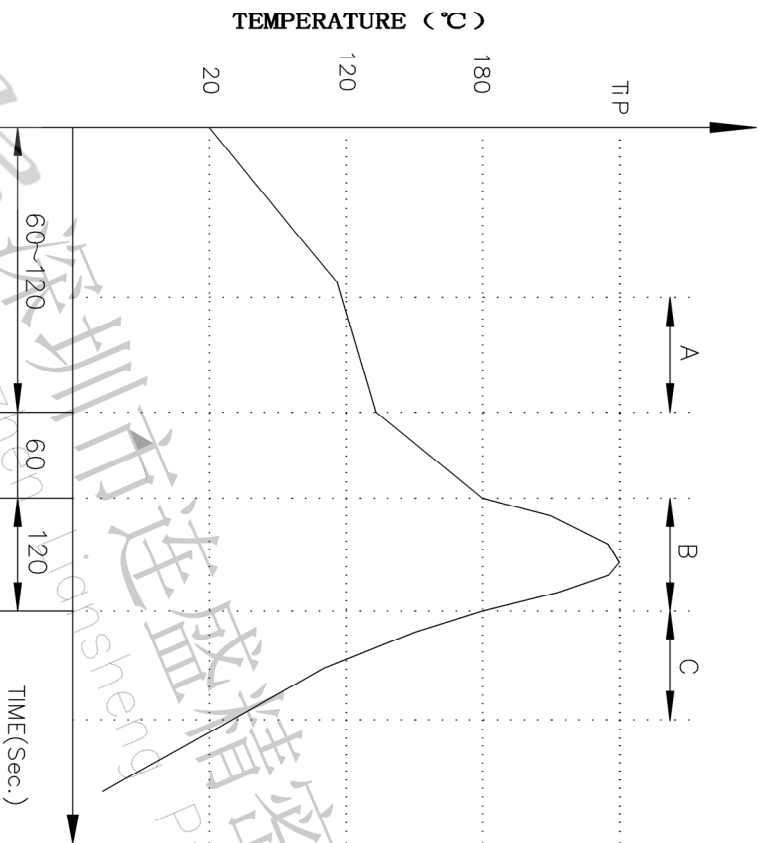
OPERATION		DRAW		SCALE		FIT	
X.X	±0.30			UNIT	mm		
X.XX	±0.20	CHECK		SIZE	A4		
X.XXX	±0.10	APPROVE		SHEET	1/1		
Angle	±3°			PROJ.	☐		
DIM	TOL						
REV	DATE	MODIFICATION DESCRIPTION	CHANGE			TITLE:	RJ45+USB 2.0 100 BASE
1							
2							
3							
4							
5							
6							
7							
8							
9							

深圳市连盛精密连接器有限公司
 Shenzhen Liansheng Precision Connector Co., Ltd.

A0 2012.03.28 NEW DRAWING

RoHS

PROFILE OF WAVE SOLDER



- A. Preheating B. Soldering C. Gradual Cooling
- Tip temperature: $260 \pm 5^{\circ}\text{C}$.
- Tip temperature time: 5Sec Max.
- Tip melting point of Sn96.5/Ag3/Cu0.5: 217°C .

Remarks: after wave soldering, the plastic positioning columns of the product which under the PCB will be slightly melted, but it won't affect its function.

OPERATION		DRAW		SCALE		FIT	
X.X	± 0.30	DRAW		UNIT	mm		
X.XX	± 0.20	CHECK		SIZE	A4		
X.XXX	± 0.10	APPROVE		SHEET	1/1		
Angle	$\pm 3^{\circ}$			PROJ.			
DIM	TOL						

PART NO.		TITLE:	
RJ45+USB 2.0 100 BASE			

OPERATION		DRAW		SCALE		FIT	
X.X	± 0.30	DRAW		UNIT	mm		
X.XX	± 0.20	CHECK		SIZE	A4		
X.XXX	± 0.10	APPROVE		SHEET	1/1		
Angle	$\pm 3^{\circ}$			PROJ.			
DIM	TOL						

OPERATION		DRAW		SCALE		FIT	
X.X	± 0.30	DRAW		UNIT	mm		
X.XX	± 0.20	CHECK		SIZE	A4		
X.XXX	± 0.10	APPROVE		SHEET	1/1		
Angle	$\pm 3^{\circ}$			PROJ.			
DIM	TOL						

OPERATION		DRAW		SCALE		FIT	
X.X	± 0.30	DRAW		UNIT	mm		
X.XX	± 0.20	CHECK		SIZE	A4		
X.XXX	± 0.10	APPROVE		SHEET	1/1		
Angle	$\pm 3^{\circ}$			PROJ.			
DIM	TOL						

深圳市连盛精密连接器有限公司
Shenzhen Lionsheng Precision Connector Co., Ltd.

Shenzhen Lionsheng Precision Connector Co., Ltd.