

# RoHS

## SPECIFICATIONS

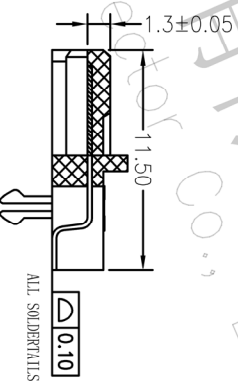
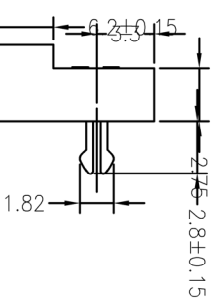
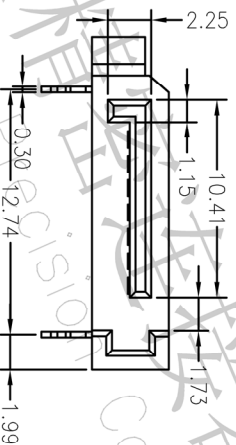
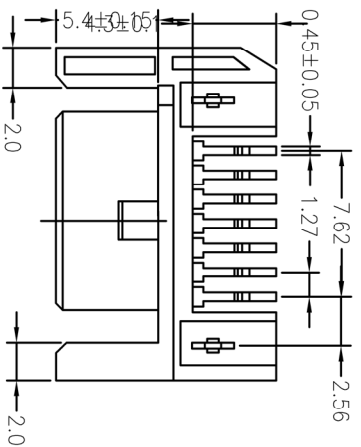
### 1.MATERIAL:

Housig: LCP UL 94V-0  
 Color: Black  
 Contact: Phosphor bronze  
 Peg: Brass

### 2.FINISH:

Contact:3u” Gold/Tin plating on contact area  
 100u” min.Tin-Lead Plating on soldertails  
 50u” min.Nickel underplating over all  
 PEG: 100u”min.Tin-Lead plating on soldertails  
 50u”min.Nickel underplating over all

注明:带号码球的为重点尺寸



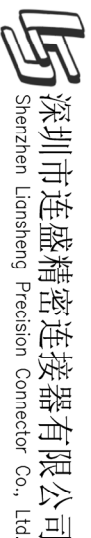
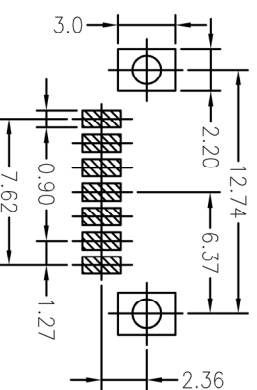
## Ordering Information

S G 07 T X X G01 000

S=SATA Header  
 G=Male  
 07=7P  
 T=The harpoon  
 X=X  
 X=X  
 G01=1UGold/Tin  
 G03=3UGold/Tin  
 G05=5UGold/Tin  
 G010=10UGold/Tin  
 G015=15UGold/Tin

Recommended P.C.B Layout(Top Side)

(PCB BOARD TOLERANCE±0.05)



深圳市连盛精密连接器有限公司  
 Shenzhen Liansheng Precision Connector Co., Ltd.

A

REV	DATE	MODIFICATION DESCRIPTION	CHANGE	OPERATION		DRAW	SCALE		FIT	PART NO.	TITLE:
				X.X	±0.30		UNIT	mm			
A0	2014.04.27	NEW DRAWING		X.XX	±0.20	CHECK					
1				X.XXX	±0.10	APPROVE					SATA7P公头 正向 SMT

B

B

C

C

D

D

E

E

F

F

G

G

1

2

3

4

5

6

7

8

9

A