

RoHS

NOTES:

1.MATERIAL:

HOUSING:LCPWITH 30 % GLASS FIBER

COLOR:BLACK

CONTACT:BRASS C2680R

PEG:BRASS C2680R

2.FINISH:

CONTACT:(1u"/3u",5u",15u") GOLD/TIN PLATING ON CONTACT

AREA100u" MIN. TIN PLATING ON SOLDERTAILS

50u" MIN.NICKEL UNDERPLATING OVER ALL

PEG:80u" MIN. TIN PLATING ON SOLDERTAILS

50u" MIN.NICKEL UNDERPLATING OVER ALL

3.ELECTRICAL:

CURRENT RATING:1.5A

CONTACT RESISTANCE:30 Milliohms MAX.

INSULATION RESISTANCE: 1000 Megohms MIN.

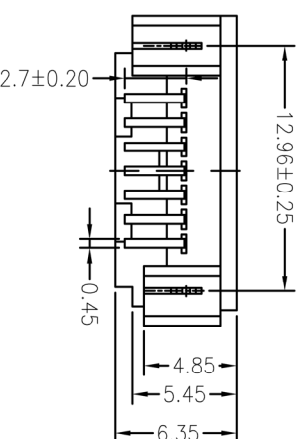
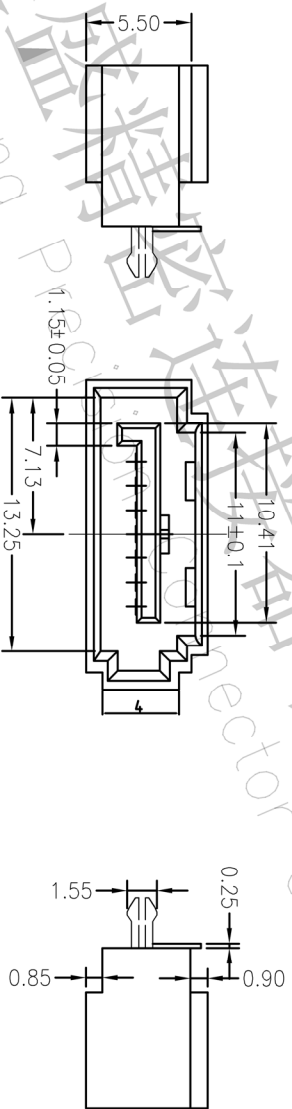
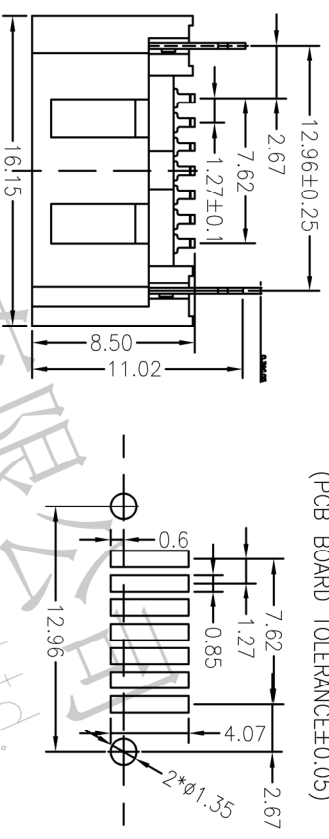
WITHSTANDING VOLTAGE: 500 VAC

Operation Voltage:100V AC Max

4.ENVIRONMENTAL:

OPERATURE RANGE:-25 TO +85

Recommended P.C.B Layout(Top Side)
(PCB BOARD TOLERANCE±0.05)



Ordering Information

S G 07 X X X G01 000

S=SATA

G=Male

07=7P

X=The harpoon

X=Ground lug

S=Strait

M=SMT

B=BOX

C=TUBE

D=TAPE REEL

G01=1UGold/Tin

G03=3UGold/Tin

G05=5UGold/Tin

G010=10UGold/Tin

G015=15UGold/Tin



深圳市连盛精密连接器有限公司
Shenzhen Liansheng Precision Connector Co., Ltd.

PART NO.

SATA 7P A型全包开窗立贴带鱼叉

| REV | DATE | MODIFICATION DESCRIPTION | CHANGE | OPERATION | | DRAW | SCALE | | FIT | TITLE: |
|-----|------------|--------------------------|--------|-----------|-------|---------|-------|-----|-----|--------|
| | | | | X.X | ±0.30 | | UNIT | mm | | |
| A0 | 2014.04.27 | NEW DRAWING | | X.XX | ±0.20 | CHECK | SIZE | A4 | | |
| | | | | X.XXX | ±0.10 | | SHEET | 1/1 | | |
| | | | | Angle | ±3° | APPROVE | PROD. | | | |
| | | | | DIM | TOL | | | | | |