

1  
2  
3  
4  
5  
6  
7  
8  
9

**RoHS**

**MATERIAL:**

Housing: LCP UL 94-V0

Terminal: Phosphor Bronze C5191

Shell: Stainless steel

Board Lock: Brass C2680

Mechanical: Insertion Force: 45N max

Withdrawal Force: 10N min

Durability: 500 cycles

**ELECTRICAL:**

RATED CURRENT: 1.5 Amp

INSULATION RESISTANCE: 1000 MΩ Min

CONTACT RESISTANCE: 30 MΩ Max

DIELECTRIC WITHSTANDING VOLTAGE

AC 500V FOR 1 MINUTE

OPERATING TEMPERATURE: -40°C~+85°C

Standard: Gold Plated 3u" all over

**Ordering Information**

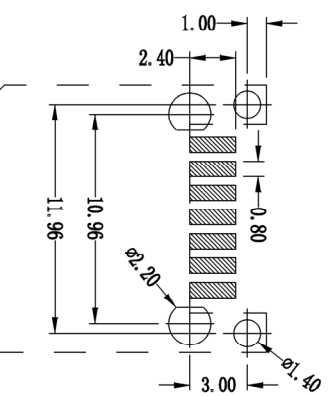
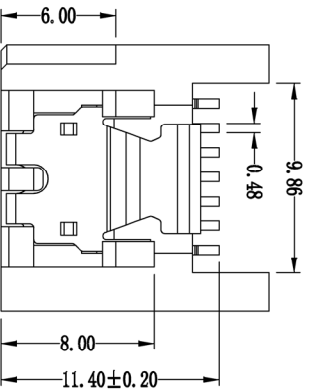
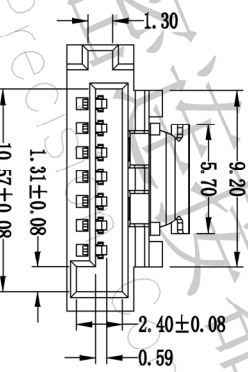
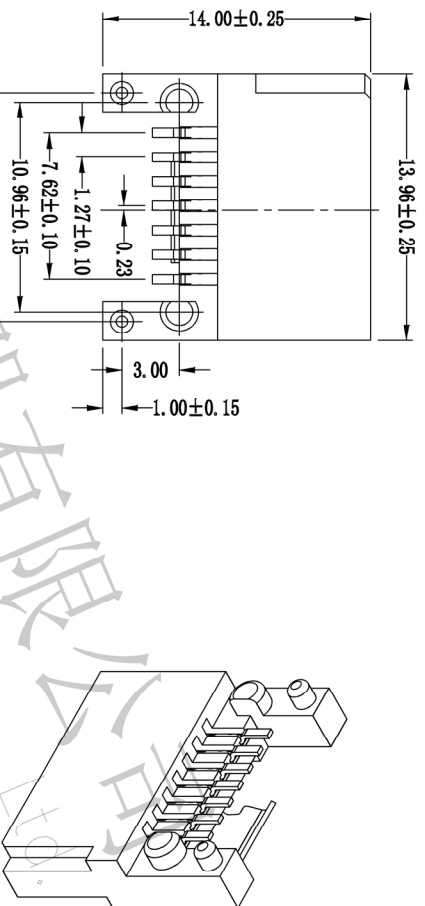
S G 07 T X X G01 000

S=SATA  
G=Male Header  
07=7P  
T=The harpoon  
X=X  
X=X  
G=Ground lug

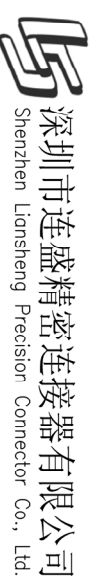
S=Straight  
M=SMT

B=BOX  
C=TUBE  
D=TAPE  
REEL

G01=1UGold/Tin  
G03=3UGold/Tin  
G05=5UGold/Tin  
G010=10UGold/Tin  
G015=15UGold/Tin



**P.C.B Hole Layout**



深圳市连盛精密连接器有限公司  
Shenzhen Liansheng Precision Connector Co., Ltd.

OPERATION		DRAW		SCALE		FIT		PART NO.	
				UNIT	mm			SIZE	SHEET
	X.X	±0.30						A4	1/1
	X.XX	±0.20	CHECK						
	X.XXX	±0.10							
	Angle	±3°	APPROVE						
	DIM	TOL		PROJ.					
OPERATION		DRAW		SCALE		FIT		PART NO.	
X.X		±0.30		UNIT		mm		A4	
X.XX		±0.20		CHECK					
X.XXX		±0.10		APPROVE					
Angle		±3°		PROJ.					
DIM		TOL		PROJ.					
TITLE:		SATA 7P 母座 SMT		带柱带弹片 (RoHS)					

REV	DATE	MODIFICATION DESCRIPTION	CHANGE
A0	2014.04.27	NEW DRAWING	
1			