

RoHS

SPECIFICATIONS

1. MATERIAL:

Housing: LCP UL 94V-0
 Color: Black
 Contact: Phosphor bronze
 Peg: Brass

2. FINISH:

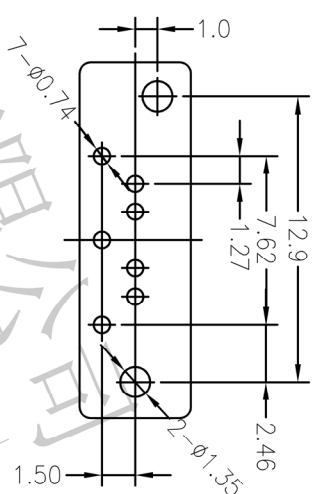
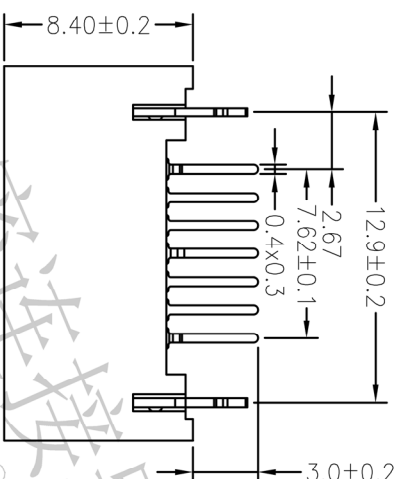
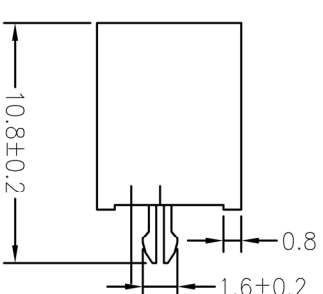
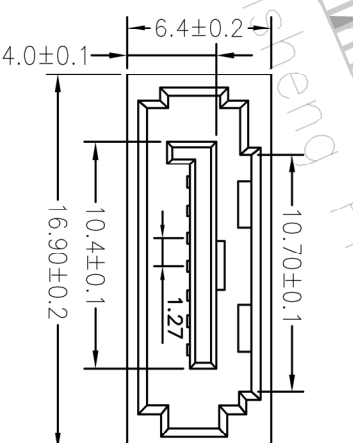
Contact: 3u" Gold/Tin plating on contact area
 100u" min. Tin-Lead Plating on soldertails
 50u" min. Nickel underplating over all
 PEG: 100u" min. Tin-Lead plating on soldertails
 50u" min. Nickel underplating over all

Ordering Information

S S G 07 X X X G01 000

S=SATA
 G=Male Header
 07=7P
 T=The harpoon
 X=Ground lug
 X=Straight
 M=SMT
 G01=1UGold/Tin
 G03=3UGold/Tin
 G05=5UGold/Tin
 G010=10UGold/Tin
 G015=15UGold/Tin

B=BOX
 G=TUBE
 D=TAPE
 REEL



Recommended P.C.B Layout(Top Side)
 (PCB BOARD TOLERANCE±0.05)

REV	DATE	MODIFICATION DESCRIPTION	CHANGE	OPERATION		DRAW	SCALE		FIT	PART NO.	TITLE:
				X.XX	±0.30		UNIT	mm			
A0	2014.04.27	NEW DRAWING		X.XX	±0.20	CHECK	SIZE	A4	1/1	SATA7P公头 全包不开窗B型插板PC3.0	
1				Angle	±3°	APPROVE	SHEET	1/1			
				DIM	TOL	PROJ.	PROD.				

