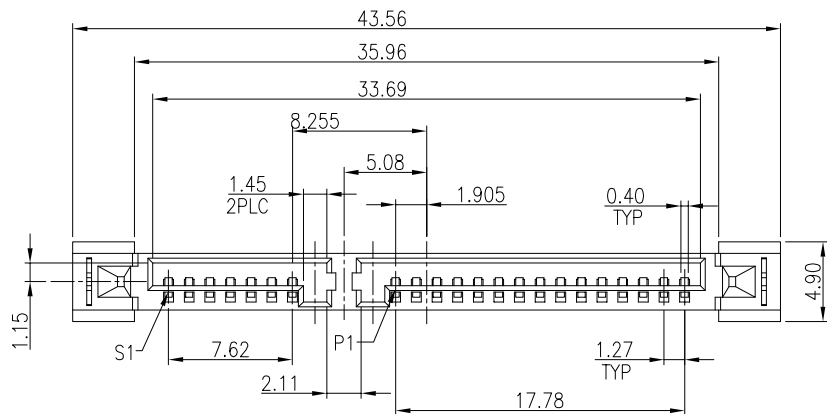
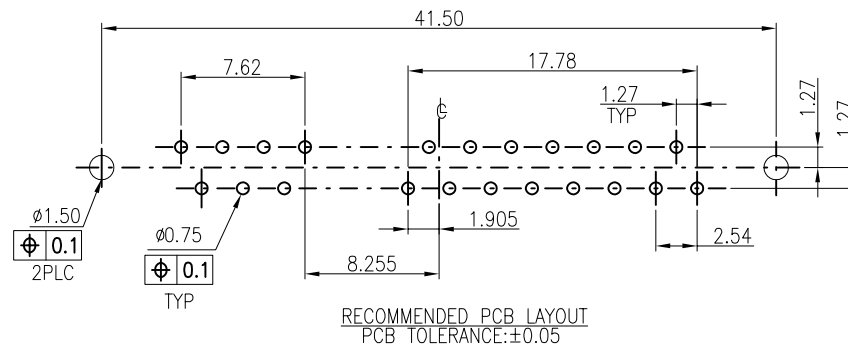
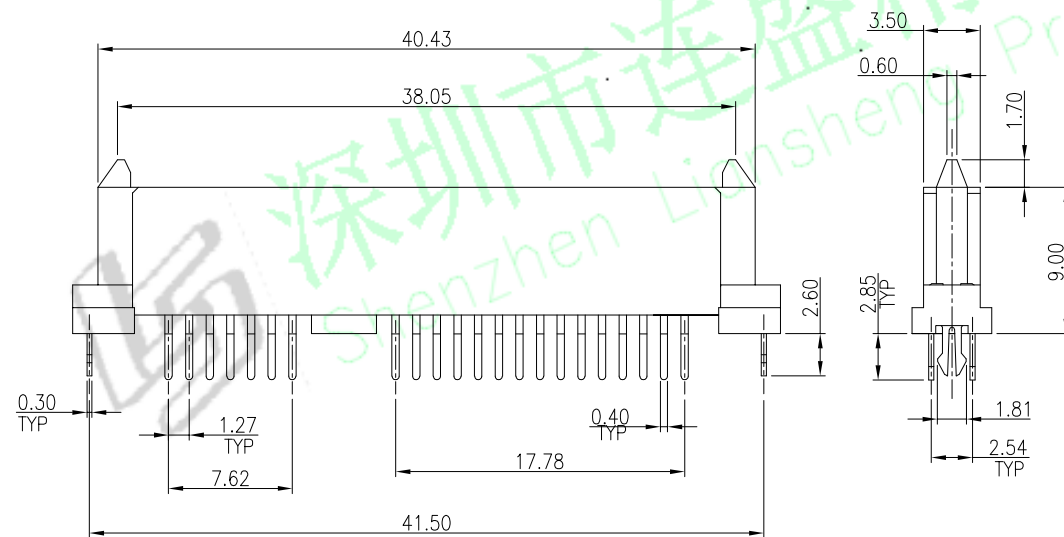


RoHS



NOTES:  
 1.MATERIAL:  
 HOUSING:LCP 30% G/F UL94 V-0  
 COLOR:BLACK  
 CONTACT: PHOSPHOR BRONZE T=0.30mm  
 BOARD LOCK:BRASS T=0.30mm  
 2.FINISH:  
 CONTACT:GOLD FALSH/TIN PLATING ON CONTACT AREA  
 100u" MIN.TIN PLATING ON SOLDERTAILS  
 50u" MIN.NICKEL UNDERPLATING OVER ALL  
 BOARD LOCK:100u"MIN.TIN PLATION ON SOLDERTAILS  
 50u"MIN.TIN NICKEL UNDERPLATING OVER AL



				OPERATION		DRAW	黄喜俊	SCALE	FIT	深圳市连盛精密连接器有限公司 Shenzhen Liansheng Precision Connector Co., Ltd.		
				X.X	±0.30			UNIT	mm			
				CHECK		卢能		SIZE	A4	PART NO.		
				X.XX	±0.20			SHEET	1/1	TITLE:		SATA 7+15P母座双排脚DIP型PIN长2.85
				APPROVE		李双		PROJ.				
REV	DATE	MODIFICATION	DESCRIPTION	CHANGE	DIM			TOL				
1		2	3	4	5	6	7	8	9			