

RoHS

1

2

3

4

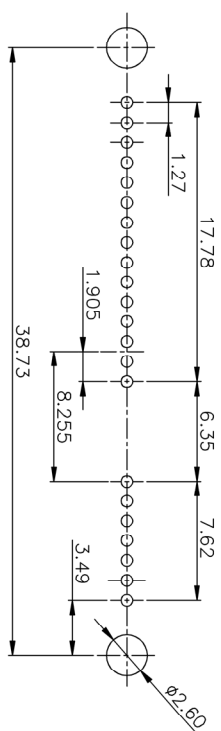
5

6

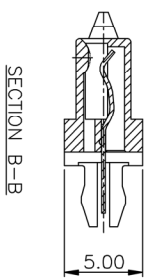
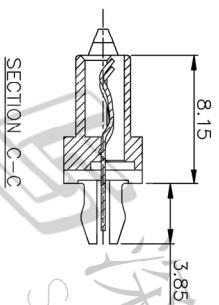
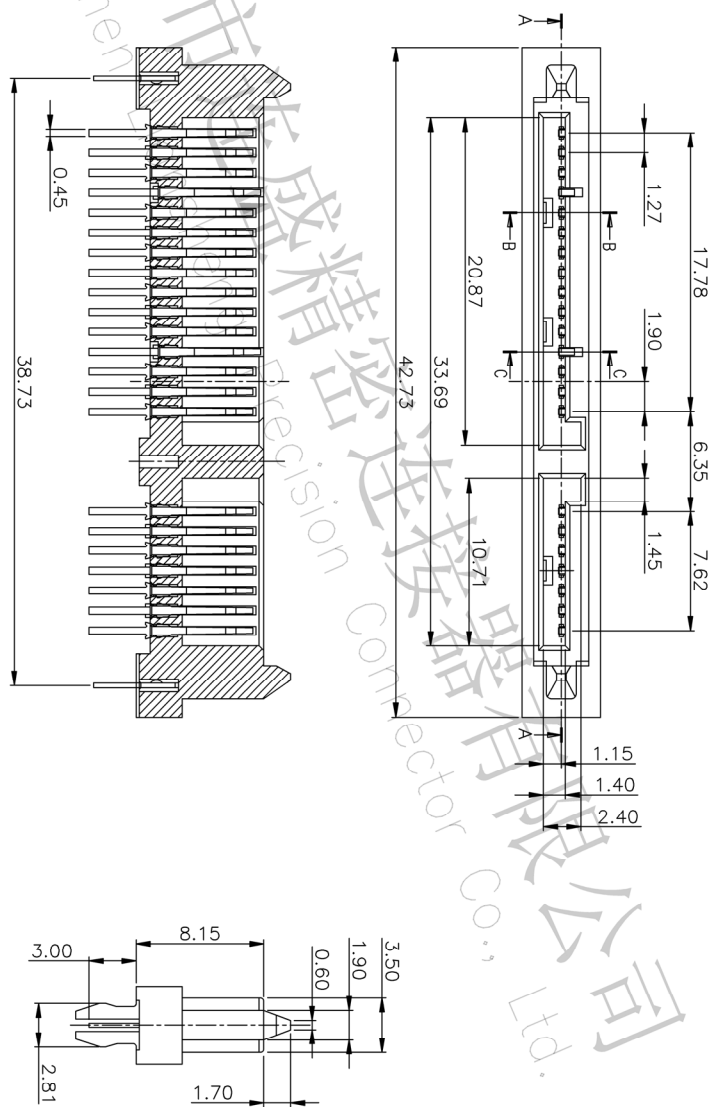
7

8

9



- NOTES:
- MATERIAL:
HOUSING: LCP 30% G/F UL94 V-0
COLOR: BLACK
CONTACT: PHOSPHOR BRONZE
BOARD LOCK: BRASS C2680H
 - FINISH:
CONTACT: GOLD FLASH/TIN PLATING ON CONTACT AREA
100μ" MIN. TIN PLATING ON SOLDER TAILS
50μ" MIN. NICKEL UNDERPLATING OVER ALL BOARD LOCK: 100μ" MIN. TIN PLATING ON SOLDER TAILS
50μ" MIN. NICKEL UNDERPLATING OVER ALL



B



OPERATION		DRAW		SCALE		FIT		PART NO.	
X.X	±0.30			UNIT	mm				
X.XX	±0.20	CHECK		SIZE	A4				
X.XXX	±0.10			SHEET	1/1				
Angle	±3°	APPROVE		PRD.				TITLE:	
DIM	TOL							SATA 7+15P B型母座 180度DIP型	
REV	DATE	MODIFICATION DESCRIPTION		CHANGE					
1									
A0	2012.03.28	NEW DRAWING							
A									

A