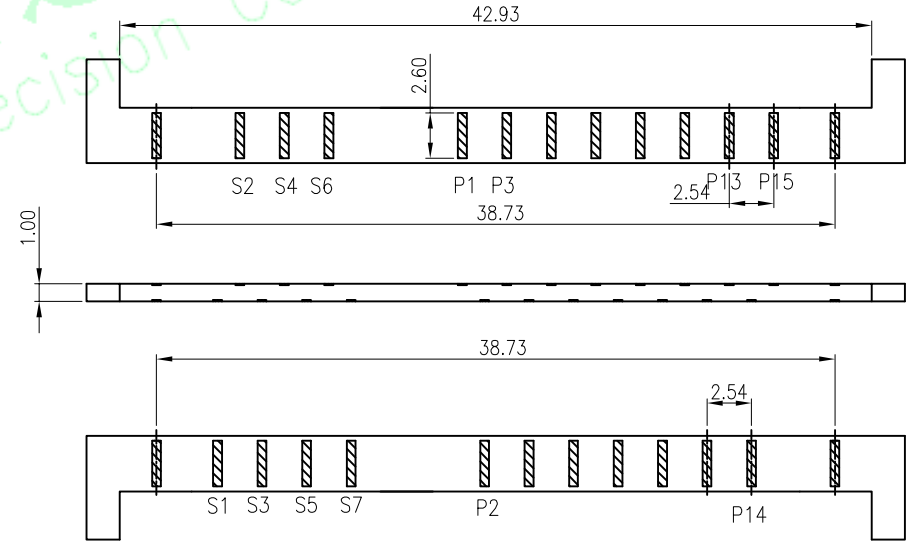
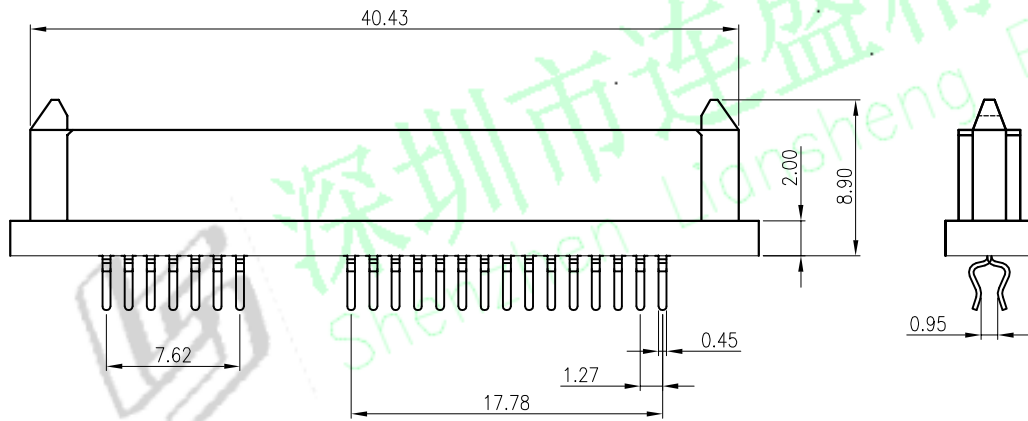
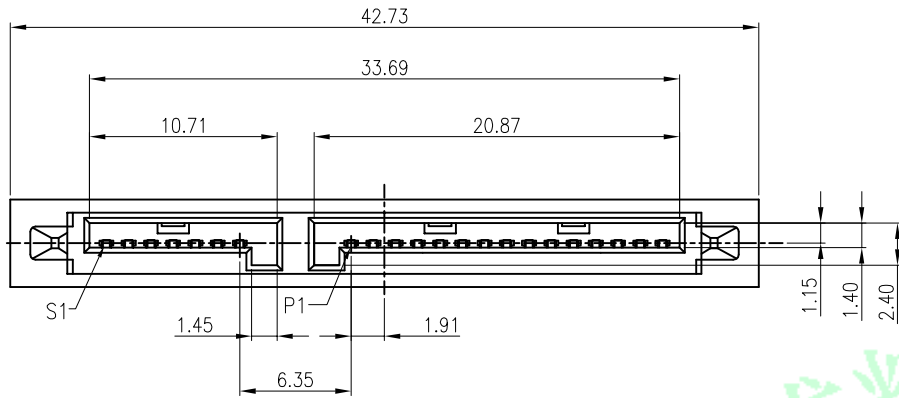


RoHS

NOTES:  
 1.MATERIAL:  
 HOUSING:LCP 30% G/F UL94 V-0  
 COLOR:BLACK  
 CONTACT: PHOSPHOR BRONZE  
 BOARD LOCK:BRASS  
 2.FINISH:  
 CONTACT:GOLD FALSH/TIN PLATING ON CONTACT AREA  
 100u" MIN.TIN PLATING ON SOLDERTAILS  
 50u" MIN.NICKEL UNDERPLATING OVER ALL  
 BOARD LOCK:100u"MIN.TIN PLATION ON SOLDERTAILS  
 50u"MIN.TIN NICKEL UNDERPLATING OVER ALL



P.C.B LAYOUT

|     |      |              |             |           |       |         |     |       |     |  |  |                       |
|-----|------|--------------|-------------|-----------|-------|---------|-----|-------|-----|--|--|-----------------------|
|     |      |              |             | OPERATION |       | DRAW    | 黄喜俊 | SCALE | FIT |  深圳市连盛精密连接器有限公司<br>Shenzhen Liansheng Precision Connector Co., Ltd. |  |                       |
|     |      |              |             | X.X       | ±0.30 |         |     | UNIT  | mm  |  |  |                       |
|     |      |              |             |           |       | CHECK   | 卢能  | SIZE  | A4  | PART NO.   |  |                       |
|     |      |              |             | X.XX      | ±0.20 |         |     | SHEET | 1/1 | TITLE:   |  | SATA 7+15P母座短体夹板1.0mm |
|     |      |              |             |           |       | APPROVE | 李双  | PROJ. |     |  |  |                       |
| REV | DATE | MODIFICATION | DESCRIPTION | CHANGE    | DIM   |         |     | TOL   |     |  |  |                       |