

RoHS

MATERIALS
 Housing: Plastic Thermoplastic, PA9T, UL94V-0, Black
 Contact Material: Copper Alloy Gold Selective Plated
 Front Shell: Zinc Alloy, Nickel Plated Over Copper
 RoHS Compliant

ELECTRICAL CHARACTERISTICS
 Rated Current: 1.0AMP
 Withstand Voltage: 500V AC/DC
 Insulation Resistance: 500MΩ Min
 Contact Resistance: 35mΩ Max
 Operation Temperature: -55°C to +105°C

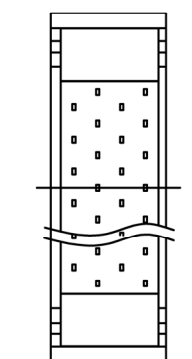
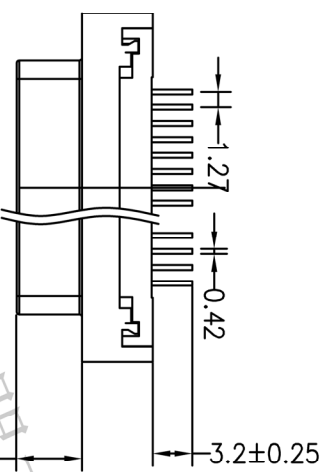
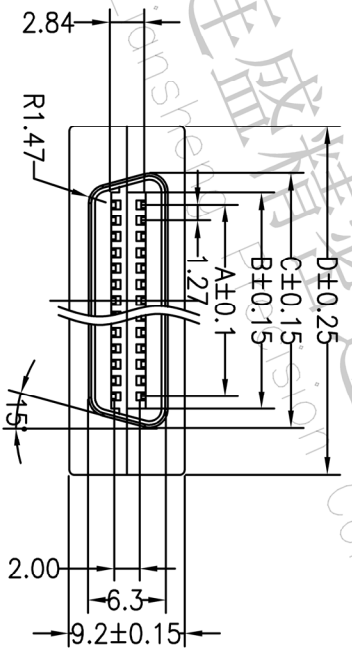
材质
 胶芯: 塑胶 PA9T UL94V-0, 黑色
 端子: 铜合金, 镀半金锡
 前壳: 锌合金, 镀镍

规格
 耐电流: 1安培
 最大耐电压: 交流500伏特
 绝缘电阻: 最小值大于500 百万欧姆
 接触电阻: 最大值小于35 千分之一欧姆
 工作温度: -55°C到+105°C

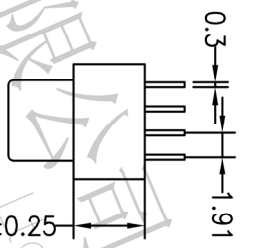
Ordering Information

6300 F 225 S X X X 001

F=Female
 No. of Pins Per Row 2X25P
 Connector Type S=Straight R=Right Angle M=SMT Z=贴脚 W=焊松脚
 Insulator Option A=BK-PBT B=BK-PA9T D=BK-LCP S=Special
 Material A=PE B=BOC C=Tube D=Tube+Cap E=Reel+Cap F=Reel+Mylar
 Packing B=Box C=Tube D=Tube+Cap E=Reel+Cap F=Reel+Mylar
 Contact Plating G1:1U" Gold G2:1.5U" Gold G3:2U" Gold G4:3U" Gold G5:3U" Gold SN:Tin



PCB LAYOUT



No. of Pin	DIMENSIONS			
A	B	C	D	
50	30.48	32.45	35.39	45.00

深圳市连盛精密连接器有限公司
 Shenzhen Liansheng Precision Connector Co., Ltd.

OPERATION		DRAW		SCALE		PART NO.	
X.X	±0.30			UNIT	FIT		
X.XX	±0.15	CHECK		mm	A4		
X.XXX	±0.10			SIZE	1/1		
±3°		APPROVE		SHEET			
DIM	TOL			PROD.		TITLE:	信号连接器 50P DIP 母头 插板式 黑色 带锌合金外壳 W3.2mm 半金锡 30# 两边不带螺丝孔 不带钩