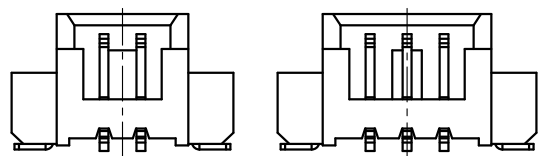
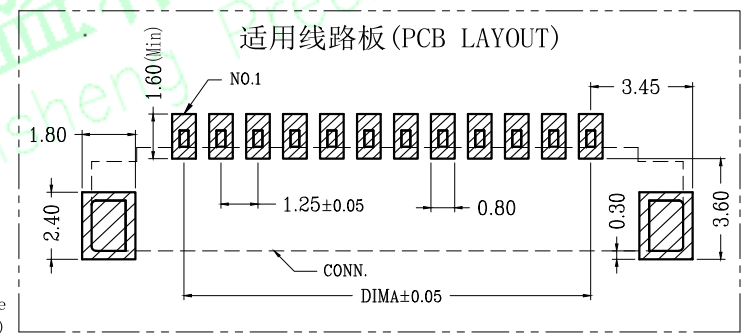
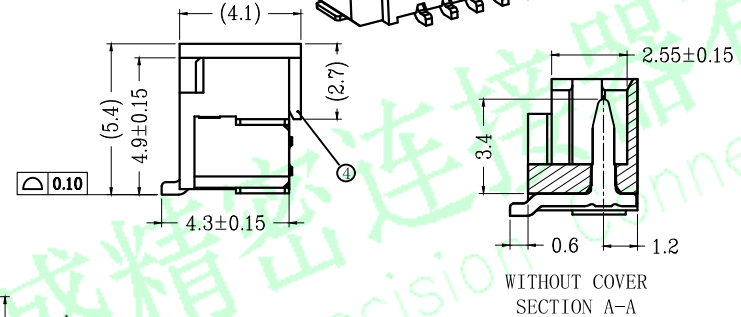
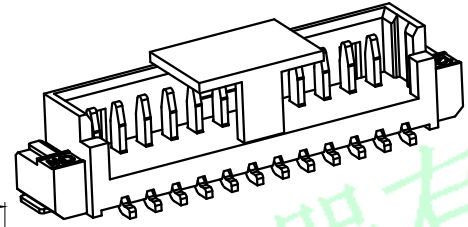
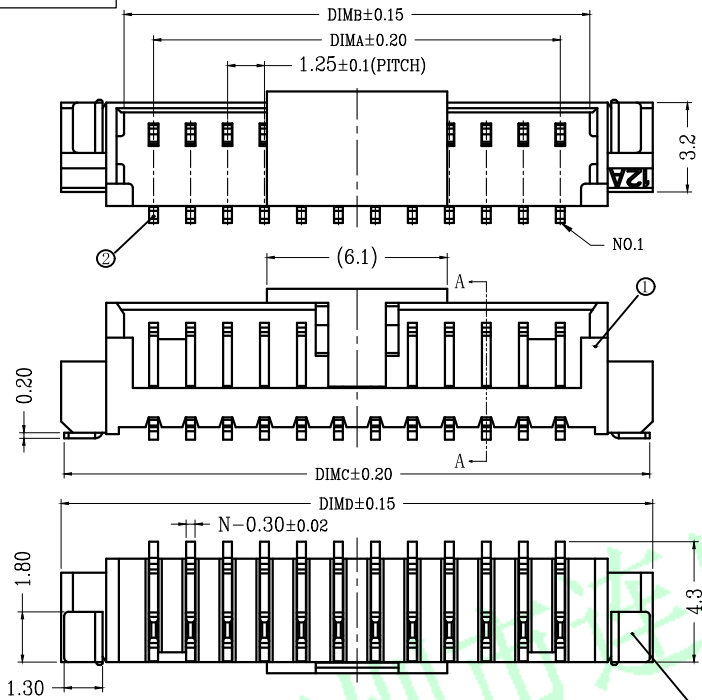


RoHS



2 PIN 3 PIN
LOCK CONFIGURATION (锁扣位置)


序号	品名	材质
①	A型立式WTB胶芯 1.25 Pitch S/T Wire To Board Housing(H=4.9)	LCP UL94V-0 本色 Natural
②	A型立式WTB端子 1.25 Pitch S/T Wire To Board Terminal(H=4.9)	铜合金/表面镀锡 Copper Alloy/ Tin Plating
③	A型立式WTB焊片 1.25 Pitch S/T Wire To Board Fitting Nail(H=4.9)	铜合金/表面镀锡 Copper Alloy/ Tin Plating
④	A型立式WTB吸盖 1.25 Pitch S/T Wire To Board Cover(H=4.9)	LCP UL94V-0 本色 Natural

技术指标 (Technical Index):

1. 塑件表面应光洁、无毛边、无明显收缩、缺陷、裂纹等现象。(The surface of the plastic parts should be smooth, no rough edges, no obvious shrinkage, defects, cracks and other phenomena)
2. 锁扣窗口: 2~3PIN为1个, ≥4PIN为2个。(Lock Configuration: 2 to 3Pin is 1, ≥4Pin is 2)
3. 不同Pin位吸盖加入/取出力有差异, 实属正常现象。(It is normal that there are differences between suction cap and suction cap at different Pin positions)
4. 温度范围 (Temperature range): -25° C~85° C.
5. 额定电压 (Rated voltage): 125V, AC/DC (=等效).
6. 接触电阻 (Contact resistance): ≤0.02Ω.
7. 绝缘电阻 (Insulation resistance): ≥100MΩ
8. 产品料号 (Product material No.):

CKT	DIM A	DIM B	DIM C	DIM D
2	1.25	3.25	7.30	7.50
3	2.50	4.50	8.55	8.75
4	3.75	5.75	9.80	10.00
5	5.00	7.00	11.05	11.25
6	6.25	8.25	12.30	12.50
7	7.50	9.50	13.55	13.75
8	8.75	10.75	14.80	15.00
9	10.00	12.00	16.05	16.25
10	11.25	13.25	17.30	17.50
11	12.50	14.50	18.55	18.75
12	13.75	15.75	19.80	20.00
13	15.00	17.00	21.05	21.25
14	16.25	18.25	22.30	22.50
15	17.50	19.50	23.55	23.75
16	18.75	20.75	24.80	25.00
17	20.00	22.00	26.05	26.25
18	21.25	23.25	27.30	27.50
19	22.50	24.50	28.55	28.75
20	23.75	25.75	29.80	30.00

REV	DATE	MODIFICATION DESCRIPTION	CHANGE	OPERATION	DRAW	SCALE	FIT
1				X.X ±0.30	黄喜俊		
				X.XX ±0.20	卢能		
				X.XXX ±0.10			
				Angle ±3'			
				DIM TOL	李双		


深圳市连盛精密连接器有限公司
 Shenzhen Liansheng Precision Connector Co., Ltd.

PART NO. _____
 TITLE: **1.25-1*NP AWW**