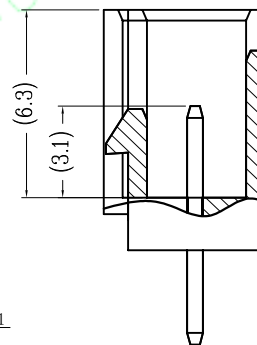
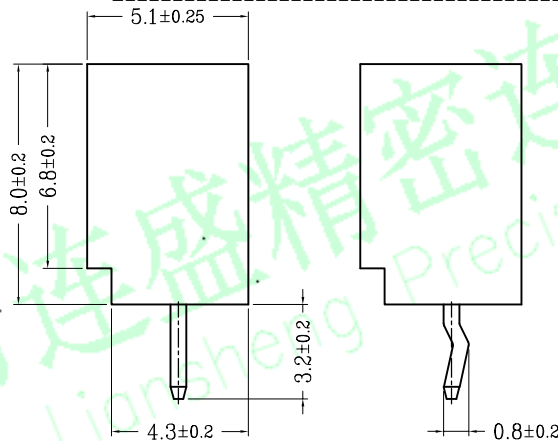
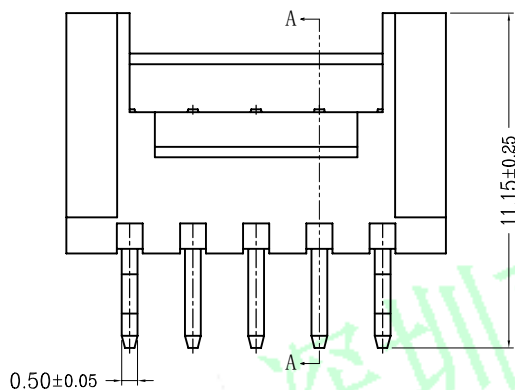
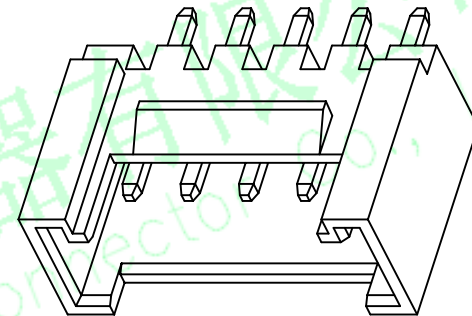
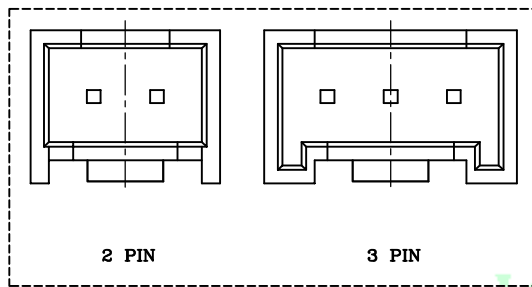
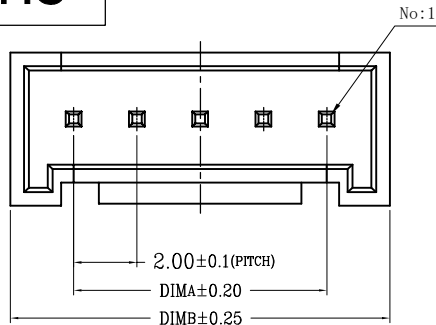


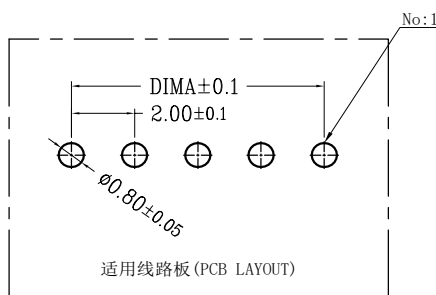
RoHS

序号	品名	材质
①	HY2.0直针WTB胶芯	PA66 UL94V-0 米色 白色
②	HY2.0直针WTB端子	铜合金/表面镀锡



技术指标 (Technical Index):

1. 温度范围 (Temperature range):  $-25^{\circ}\text{C} \sim +85^{\circ}\text{C}$ .
2. 额定电压 (Rated voltage): 200V, AC.
3. 额定电流 (Rated current): 2.0A AC, DC.
4. 接触电阻 (Contact resistance):  $\leq 25\text{m}\Omega$ .
5. 耐压值 (Withstanding voltage): 500V AC/minute.
6. 绝缘电阻 (Insulation resistance):  $\geq 1000\text{M}\Omega$ .
7. 产品料号 (Product material No.):



CKT	A	B	CKT	A	B
2	2.0	6.0	12	22.0	26.0
3	4.0	8.0	13	24.0	28.0
4	6.0	10.0	14	26.0	30.0
5	8.0	12.0	15	28.0	32.0
6	10.0	14.0	16	30.0	34.0
7	12.0	16.0	17	32.0	36.0
8	14.0	18.0	18	34.0	38.0
9	16.0	20.0	19	36.0	40.0
10	18.0	22.0	20	38.0	42.0
11	20.0	24.0			

REV	DATE	MODIFICATION DESCRIPTION	CHANGE	OPERATION	DRAW	黄喜俊	SCALE	FIT	 深圳市连盛精密连接器有限公司 Shenzhen Liansheng Precision Connector Co., Ltd.
				X.X	±0.30		UNIT	mm	
				X.XX	±0.20	CHECK	SIZE	A4	
				X.XXX	±0.10		SHEET	1/1	
				Angle	±3'	APPROVE	PROJ.	◆	
				DIM	TOL	李双			
PART NO.		HY-1*NP A							
TITLE:									