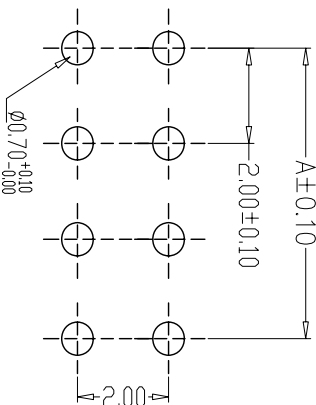
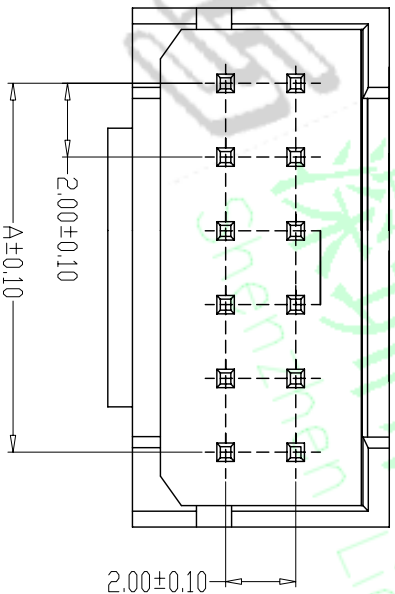
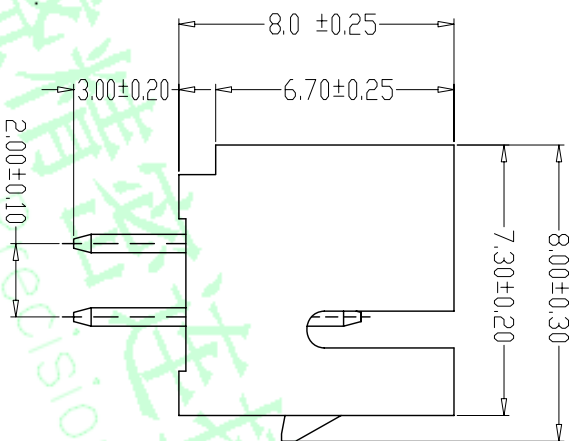
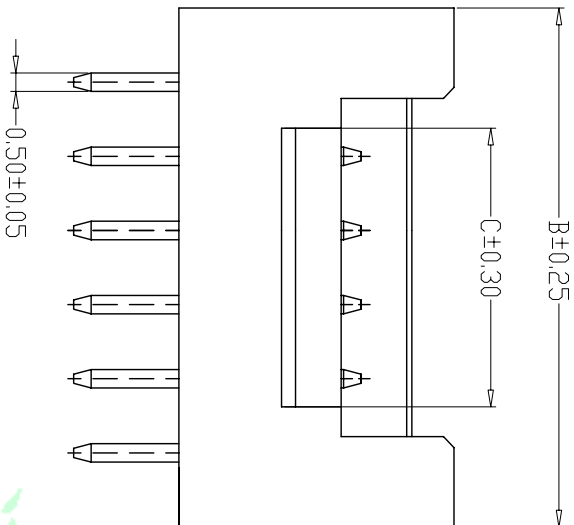


RoHS



PCB LAYOUT

- SPECIFICATIONS
- 1、Current Rating: 3A AC, DC
 - 2、Voltage Rating: 250V AC, DC
 - 3、Temperature Range: $-40^{\circ}\text{C}\sim+105^{\circ}\text{C}$
 - 4、Contact Resistance: $20\text{m}\Omega$ Max
 - 5、Insulation Resistance: $1000\text{M}\Omega$ Min
 - 6、Withstanding Voltage: 800V AC/minute
 - 7、Material: Wafer Nylon66, UL94V-0
PIN Brass Tin-plated

PIN数	尺寸 (mm)		
	A	B	C
2x02	2.00	6.00	3.00
2x03	4.00	8.00	3.00
2x04	6.00	10.00	3.00
2x05	8.00	12.00	5.00
2x06	10.00	14.00	7.00
2x07	12.00	16.00	9.00
2x08	14.00	18.00	11.00
2x09	16.00	20.00	13.00
2x10	18.00	22.00	15.00
2x11	20.00	24.00	17.00
2x12	22.00	26.00	19.00
2x13	24.00	28.00	21.00
2x14	26.00	30.00	23.00
2x22	42.00	46.00	39.00



深圳市连盛精密连接器有限公司
Shenzhen Liansheng Precision Connector Co., Ltd.

OPERATION		DRAW		SCALE		FIT		PART NO.	
X.X	± 0.30	黄喜俊		UNIT	mm	A4		PHB-2XNPN	
X.XX	± 0.20	CHECK		SIZE	A4	1/1		TITLE:	
X.XXX	± 0.10	卢能		SHEET	1/1	1/1		PHB-2XNPN	
Angle	$\pm 3^{\circ}$	APPROVE		PROJ.	◆	1/1			
DIM	TOL	李双							
REV	DATE	MODIFICATION DESCRIPTION		CHANGE					
1									