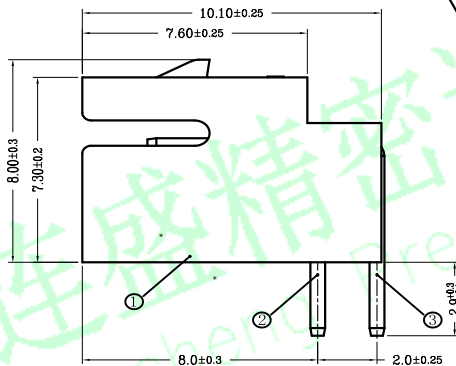
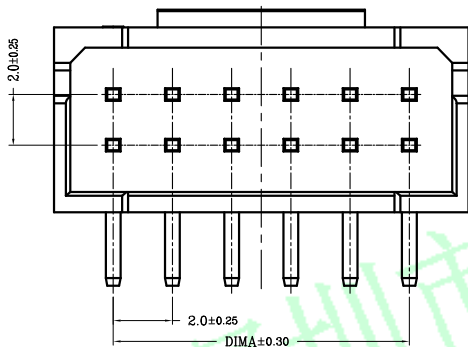
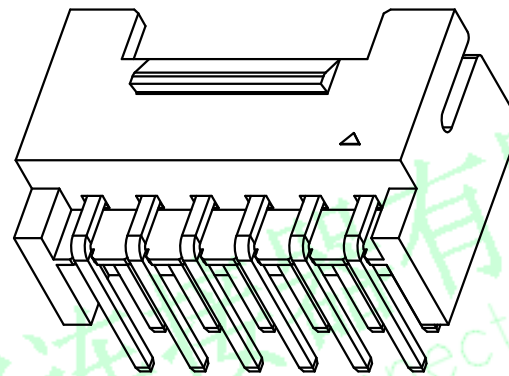
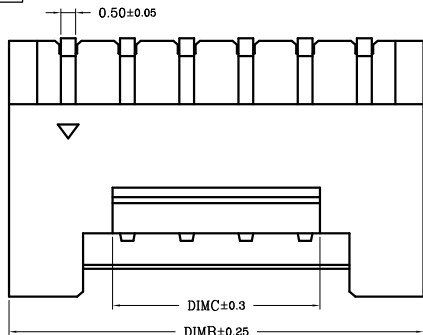


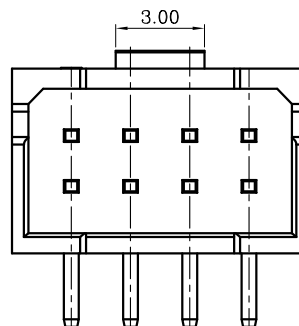
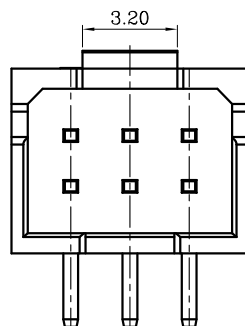
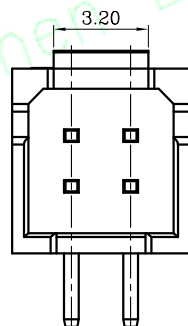
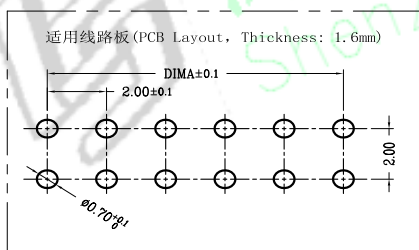
RoHS

序号	品名	材质
①	2.0-A型双排卧式DIP型WTB胶芯 2.0 Pitch T/H R/A Wire To Board Housing (0#8.0)	PA46 UL94V-0 白色 White
②	2.0-A型双排卧式DIP型WTB长端子 2.0 Pitch T/H R/A Wire To Board Long Terminal (0#8.0)	铜合金/表面镀锡 Copper Alloy/ Tin Plating
③	2.0-A型双排卧式DIP型WTB短端子 2.0 Pitch T/H R/A Wire To Board Short Terminal (0#8.0)	铜合金/表面镀锡 Copper Alloy/ Tin Plating



技术指标:

1. 塑件表面应光洁、无毛边、无明显收缩、缺陷、裂纹等现象
2. 工作温度: $-25^{\circ}\text{C} \sim 85^{\circ}\text{C}$.
3. 额定电压: 250V DC/AC(rms).
4. 额定电流: 3.0A AC, DC.
5. 接触电阻: $\leq 20\text{m}\Omega$.
6. 耐压值: 800V AC/minute.
7. 绝缘电阻: $\geq 1000\text{M}\Omega$.



2~3P结构(2~3Pin Structure)

4P 结构(4 Pin Structure)

CKT	DIM A	DIM B	DIM C
2*2	2.0	6.0	3.2
2*3	4.0	8.0	3.2
2*4	6.0	10.0	3.0
2*5	8.0	12.0	5.0
2*6	10.0	14.0	7.0
2*7	12.0	16.0	9.0
2*8	14.0	18.0	11.0
2*9	16.0	20.0	13.0
2*10	18.0	22.0	15.0
2*11	20.0	24.0	17.0
2*12	22.0	26.0	19.0
2*13	24.0	28.0	21.0
2*14	26.0	30.0	23.0
2*15	28.0	32.0	25.0
2*16	30.0	34.0	27.0
2*17	32.0	36.0	29.0
2*18	34.0	38.0	31.0
2*19	36.0	40.0	33.0
2*20	38.0	42.0	35.0
2*21	40.0	44.0	37.0
2*22	42.0	46.0	39.0

REV	DATE	MODIFICATION DESCRIPTION	CHANGE	OPERATION	DRAW	黄喜俊	SCALE	FIT	 深圳市连盛精密连接器有限公司 Shenzhen Liansheng Precision Connector Co., Ltd.
				X.X	±0.30		UNIT	mm	
				X.XX	±0.20	CHECK	SIZE	A4	
				X.XXX	±0.10		SHEET	1/1	
				Angle	±3'	APPROVE	PROJ.	◆	
				DIM	TOL	李双			
PART NO.		PHB-2XNP AW							