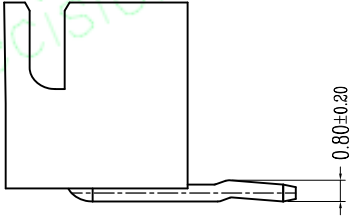
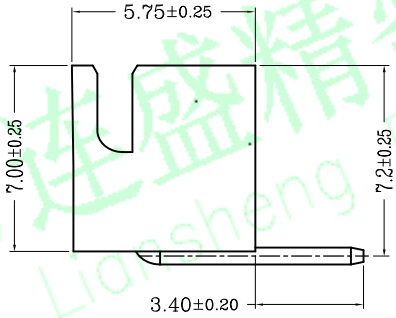
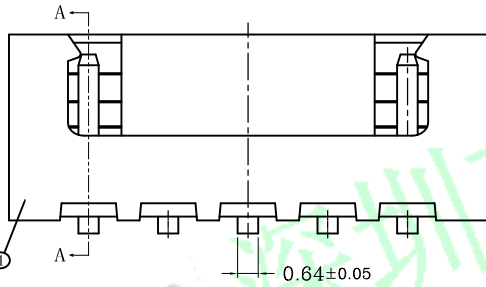
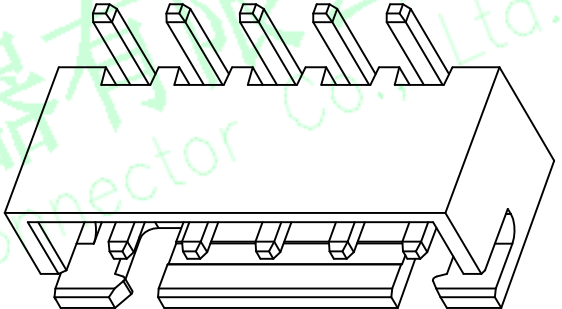
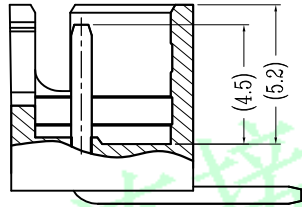
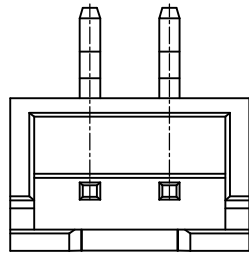
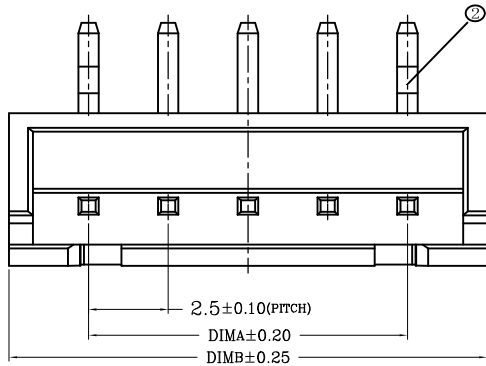
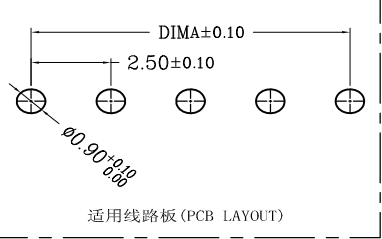


RoHS

序号	品名	材质
①	XH2.5直针WTB胶芯	PA66 UL94V-0 米色 白色
②	XH2.5弯针WTB端子	铜合金/表面镀锡



- 技术指标 (Technical Index):
1. 温度范围 (Temperature range): -25° C ~ +85° C.
  2. 额定电压 (Rated voltage): 250V, AC.
  3. 额定电流 (Rated current): 3.0A AC, DC.
  4. 接触电阻 (Contact resistance): ≤ 20mΩ .
  5. 耐压值 (Withstanding voltage): 1000V AC/minute.
  6. 绝缘电阻 (Insulation resistance): ≥ 1000MΩ.
  7. 产品料号 (Product material No.):



CKT	A	B	CKT	A	B
2	2.5	7.5	10	22.5	27.5
3	5.0	10.0	11	25.0	30.0
4	7.5	12.5	12	27.5	32.5
5	10.0	15.0	13	30.0	35.0
6	12.5	17.5	14	32.5	37.5
7	15.0	20.0	15	35.0	40.0
8	17.5	22.5	16	37.5	42.5
9	20.0	25.0			

REV	DATE	MODIFICATION DESCRIPTION	CHANGE	OPERATION	DRAW	黄喜俊	SCALE	FIT	 深圳市连盛精密连接器有限公司 Shenzhen Liansheng Precision Connector Co., Ltd.	PART NO.	TITLE:
				X.X	±0.30		UNIT	mm			
				X.XX	±0.20	CHECK	SIZE	A4			
				X.XXX	±0.10		SHEET	1/1			
				Angle	±3'	APPROVE	PROJ.				<b>XH-1*NP AW</b>
1				DIM	TOL	李双					