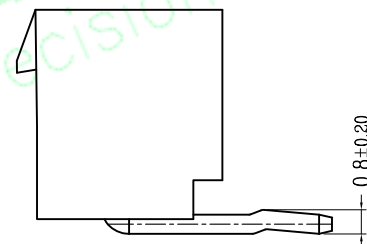
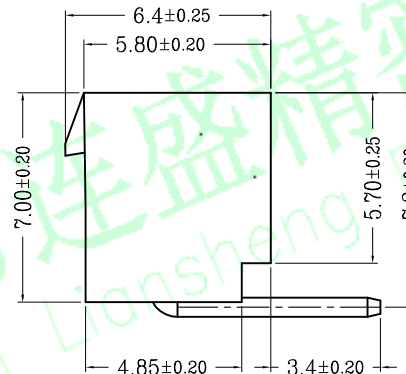
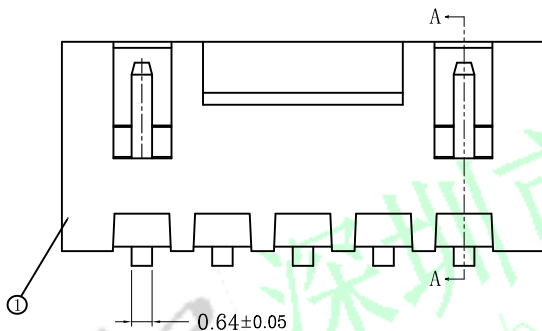
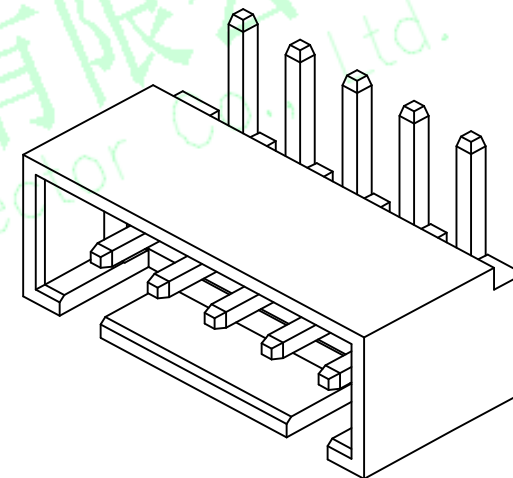
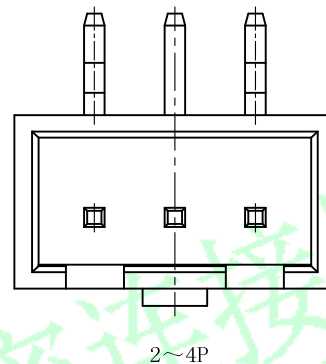
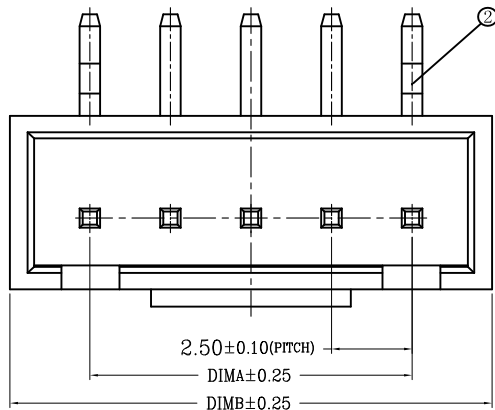


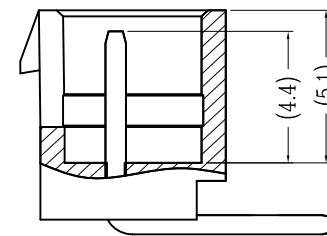
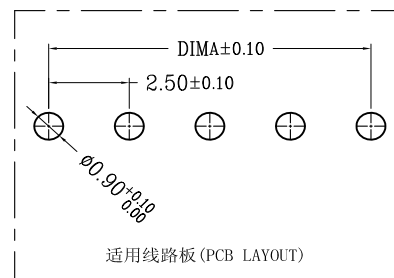
RoHS

序号	品名	材质
①	HA2.5弯针WTB胶芯	PA66 UL94V-0 米色 白色
②	XH2.5弯针WTB端子	铜合金/表面镀锡



TYPE 2(打K脚)

TYPE 1(无K脚)



SECTION A-A

技术指标(Technical Index):

1. 温度范围(Temperature range): $-25^{\circ}\text{C} \sim +85^{\circ}\text{C}$.
2. 额定电压(Rated voltage): 250V, AC.
3. 额定电流(Rated current): 3.0A AC, DC.
4. 接触电阻(Contact resistance): $\leq 20\text{m}\Omega$.
5. 耐压值(Withstanding voltage): 1000V AC/minute.
6. 绝缘电阻(Insulation resistance): $\geq 1000\text{M}\Omega$.
7. 产品料号(Product material No.):

CKT	A	B	CKT	A	B
2	2.5	7.5	10	22.5	27.5
3	5.0	10.0	11	25.0	30.0
4	7.5	12.5	12	27.5	32.5
5	10.0	15.0	13	30.0	35.0
6	12.5	17.5	14	32.5	37.5
7	15.0	20.0	15	35.0	40.0
8	17.5	22.5	16	37.5	42.5
9	20.0	25.0			

REV	DATE	MODIFICATION DESCRIPTION	CHANGE	OPERATION	DRAW	黄喜俊	SCALE	FIT	 深圳市连盛精密连接器有限公司 Shenzhen Liansheng Precision Connector Co., Ltd.
				X.X	±0.30		UNIT	mm	
				X.XX	±0.20	CHECK	SIZE	A4	
				X.XXX	±0.10		SHEET	1/1	
				Angle	±3'	APPROVE	PROJ.	◆	
				DIM	TOL	李双			
							PART NO.		
							TITLE:		XHB-1*NP AW