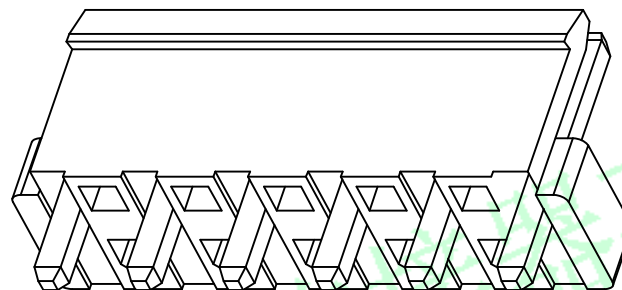
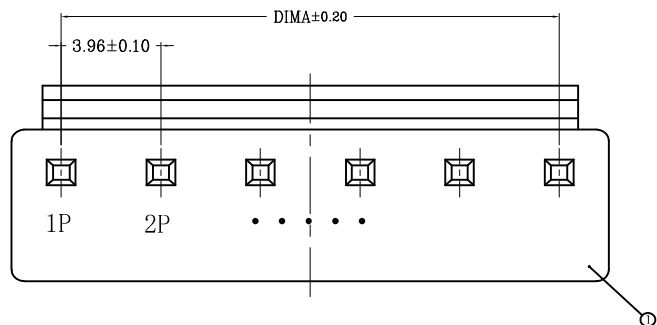


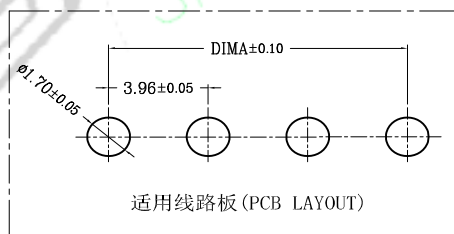
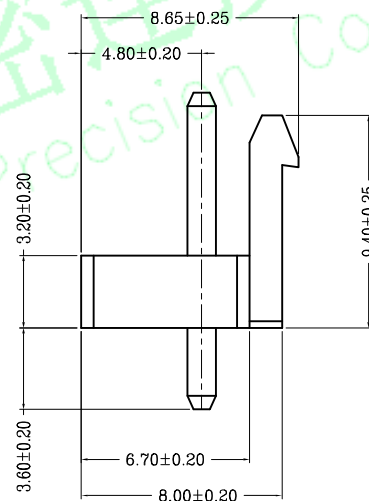
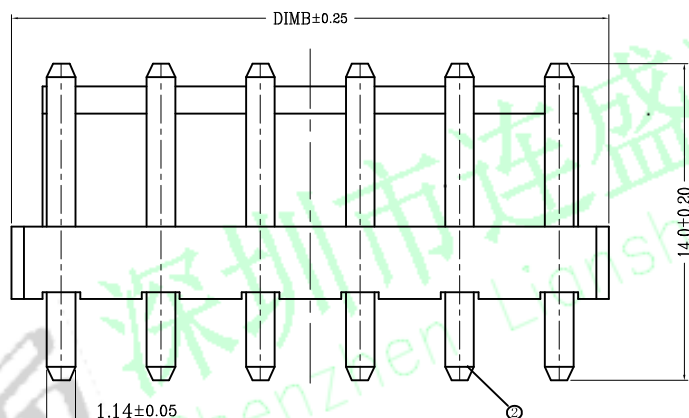
RoHS

序号	品名	材质
①	VH3.96直针WTB胶芯	PA66 UL94V-0 米色 白色
②	VH3.96直针WTB端子	铜合金/表面镀锡



技术指标(Technical Index):

1. 温度范围(Temperature range): $-25^{\circ}\text{C} \sim -85^{\circ}\text{C}$.
2. 额定电压(Rated voltage): 250V, AC, DC.
3. 额定电流(Rated current): 7.0A AC, DC.
4. 接触电阻(Contact resistance): $\leq 20\text{m}\Omega$.
5. 耐压值(Withstanding voltage): 1500V AC/minute.
6. 绝缘电阻(Insulation resistance): $\geq 1000\text{M}\Omega$.



CKT	A	B
2	3.96	7.92
3	7.92	11.88
4	11.88	15.84
5	15.84	19.80
6	19.80	23.76
7	23.76	27.72
8	27.72	31.68
9	31.68	35.64
10	35.64	39.60
11	39.60	43.56
12	43.56	47.52
13	47.52	51.48
14	51.48	55.44
15	55.44	59.40
16	59.40	63.36

REV	DATE	MODIFICATION DESCRIPTION	CHANGE	OPERATION		DRAW	黄喜俊	SCALE	FIT	PART NO.	TITLE:
				X.X	±0.30						
				X.XX	±0.20	CHECK	卢能	UNIT	mm	VH-1*NP A	
				X.XXX	±0.10	APPROVE	李双	SIZE	A4		
				Angle	±3'			SHEET	1/1		
				DIM	TOL			PROJ.			

深圳市连盛精密连接器有限公司
Shenzhen Liansheng Precision Connector Co., Ltd.