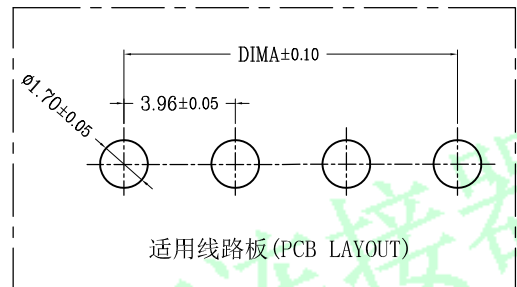
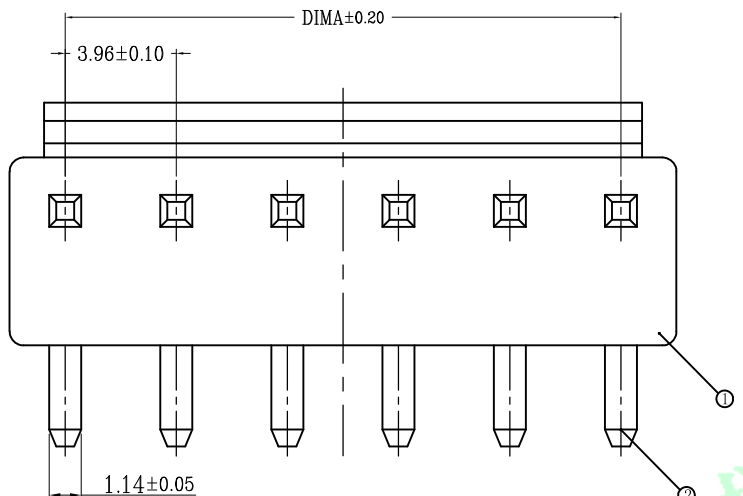


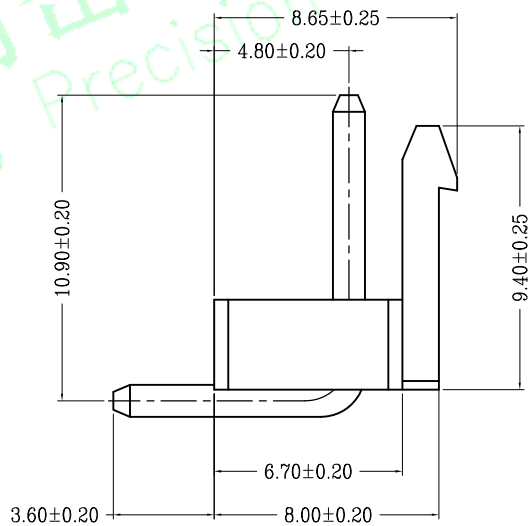
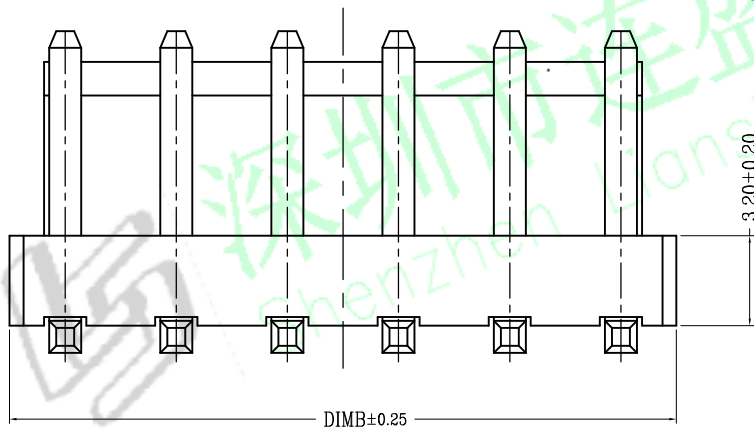
RoHS

序号	品名	材质
①	VH3.96直针WTB胶芯	PA66 UL94V-0 米色 白色
②	VH3.96平弯WTB端子	铜合金/表面镀锡



技术指标 (Technical Index):

1. 温度范围 (Temperature range):  $-25^{\circ}\text{C} \sim +85^{\circ}\text{C}$ .
2. 额定电压 (Rated voltage): 250V, AC, DC.
3. 额定电流 (Rated current): 7.0A AC, DC.
4. 接触电阻 (Contact resistance):  $\leq 20\text{m}\Omega$ .
5. 耐压值 (Withstanding voltage): 1500V AC/minute.
6. 绝缘电阻 (Insulation resistance):  $\geq 1000\text{M}\Omega$ .
7. 产品料号 (Product material No.):



CKT	A	B
2	3.96	7.92
3	7.92	11.88
4	11.88	15.84
5	15.84	19.80
6	19.80	23.76
7	23.76	27.72
8	27.72	31.68
9	31.68	35.64
10	35.64	39.60
11	39.60	43.56
12	43.56	47.52
13	47.52	51.48
14	51.48	55.44
15	55.44	59.40
16	59.40	63.36

REV	DATE	MODIFICATION DESCRIPTION	CHANGE	OPERATION	DRAW	SCALE	FIT	PART NO.		TITLE:
1	2	3	4	X.X ±0.30	黄喜俊	UNIT	mm	VH-1*NP AWD 低弯		深圳市连盛精密连接器有限公司 Shenzhen Liansheng Precision Connector Co., Ltd.
				X.XX ±0.20	卢能	SIZE	A4			
				X.XXX ±0.10	李双	SHEET	1/1			
				Angle ±3'		PROJ.	◆			
				DIM TOL						