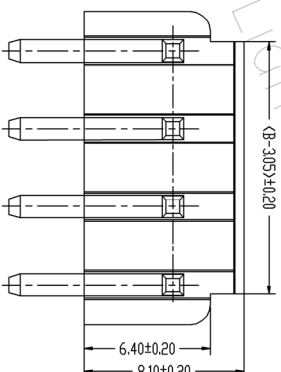
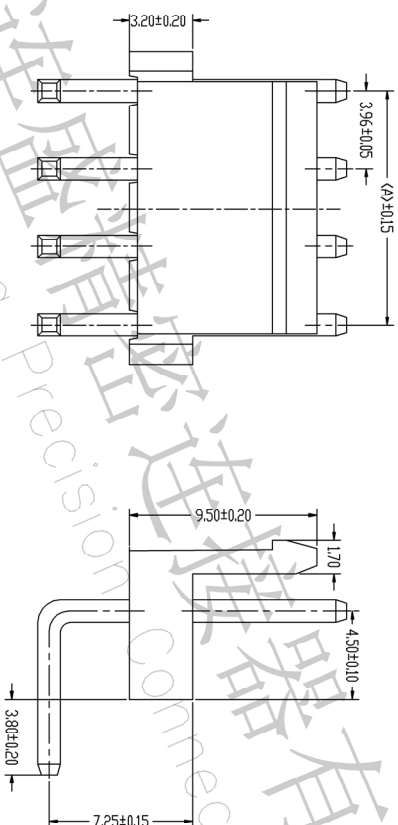
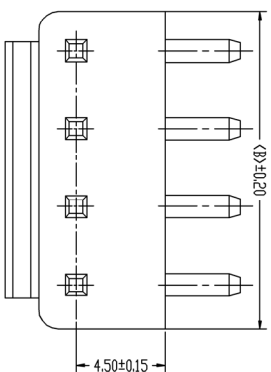


RoHS



- 说明:
- 1、产品料号: ZL3963-AW
 - 2、塑胶材质: PA66 UL94V-0
 - 3、额定电压: 250V.AC/DC
 - 4、额定电流: 10A
 - 5、耐压值: 1500V.AC/minute
 - 6、接触电阻: 10MΩ (MAX)
 - 7、绝缘电阻: 1000MΩ (MIN)
 - 8、使用温度: -25℃~+85℃

PART NO	Dimensions	
	A	B
ZL3963-AW-2P	3.96	7.92
ZL3963-AW-3P	7.92	11.88
ZL3963-AW-4P	11.88	15.84
ZL3963-AW-5P	15.84	19.80
ZL3963-AW-6P	19.80	23.76
ZL3963-AW-7P	23.76	27.72
ZL3963-AW-8P	27.72	31.68
ZL3963-AW-9P	31.68	35.64
ZL3963-AW-10P	35.64	39.60
ZL3963-AW-11P	39.60	43.56
ZL3963-AW-12P	43.56	47.52
ZL3963-AW-13P	47.52	51.48
ZL3963-AW-14P	51.48	55.44
ZL3963-AW-15P	55.44	59.40
ZL3963-AW-16P	59.40	63.35



深圳市连盛精密连接器有限公司
Shenzhen Liansheng Precision Connector Co., Ltd.

REV	DATE	MODIFICATION DESCRIPTION	CHANGE	OPERATION	DRAW	SCALE	FIT	TITLE:
A0	2012.03.28	NEW DRAWING		X.X ±0.30	黄喜俊	UNIT mm	1/1	PART NO. VH3.96 弯针
				X.XXX ±0.20	卢能	SIZE A4		
				X.XXX ±0.10	李双	SHEET 1/1		
				Angle ±3°		PROJ.		
				DIM TOL				