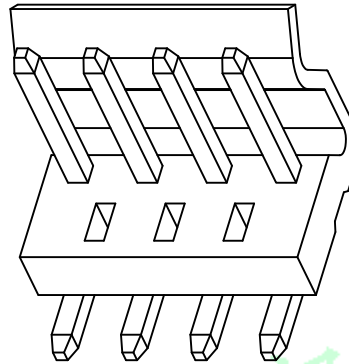
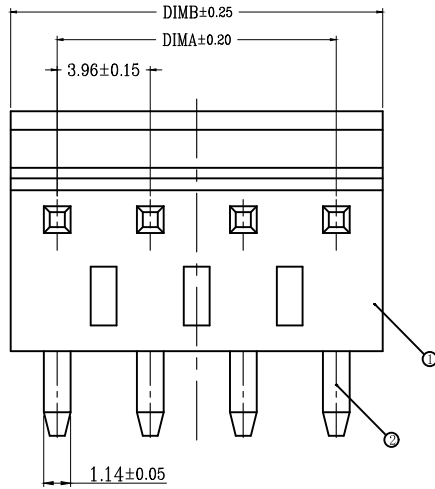


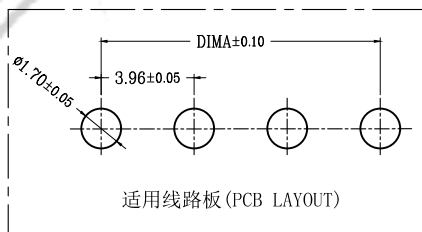
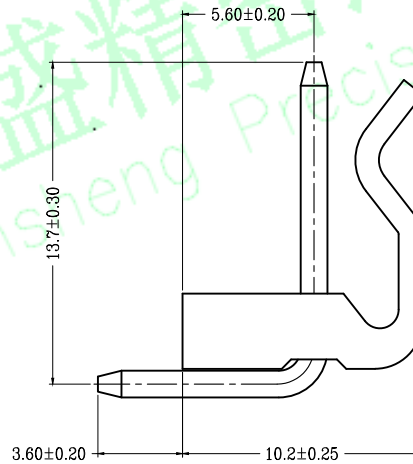
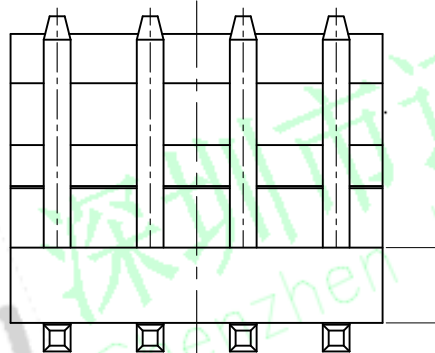
RoHS

序号	品名	材质
①	3.96直针WTB胶芯	PA66 UL94V-0 米色 白色
②	3.96平弯WTB端子	铜合金/表面镀锌



技术指标(Technical Index):

1. 温度范围(Temperature range): $-25^{\circ}\text{C} \sim +85^{\circ}\text{C}$.
2. 额定电压(Rated voltage): 250V, AC, DC.
3. 额定电流(Rated current): 7.0A AC, DC.
4. 接触电阻(Contact resistance): $\leq 20\text{m}\Omega$.
5. 耐压值(Withstanding voltage): 1500V AC/minute.
6. 绝缘电阻(Insulation resistance): $\geq 1000\text{M}\Omega$.
7. 产品料号(Product material No.):



CKT	A	B
2	3.96	7.92
3	7.92	11.88
4	11.88	15.84
5	15.84	19.80
6	19.80	23.76
7	23.76	27.72
8	27.72	31.68
9	31.68	35.64
10	35.64	39.60
11	39.60	43.56
12	43.56	47.52
13	47.52	51.48
14	51.48	55.44
15	55.44	59.40
16	59.40	63.36

OPERATION

X.X

±0.30

X.XX

±0.20

X.XXX

±0.10

Angle

±3'

DIM

TOL

DRAW

黄喜俊

CHECK

卢能

APPROVE

李双

SCALE

FIT

UNIT

mm

SIZE

A4

SHEET

1/1

PROJ.



深圳市连盛精密连接器有限公司

Shenzhen Liansheng Precision Connector Co., Ltd.

PART NO.

TITLE:

3.96平弯WTB

REV DATE MODIFICATION DESCRIPTION CHANGE

1 2 3 4 5 6 7 8 9