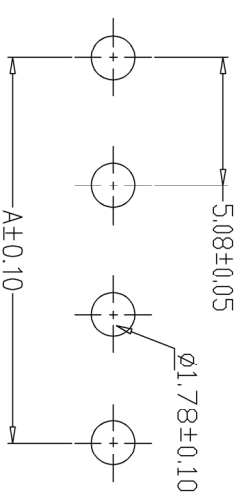
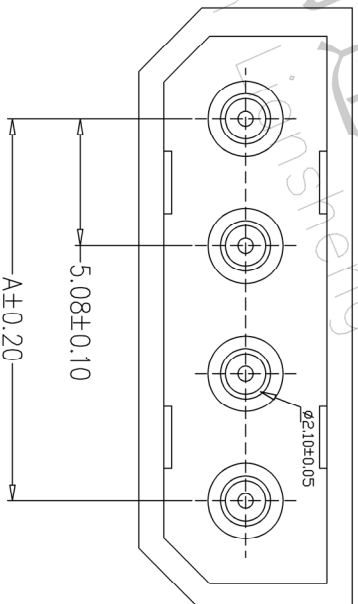
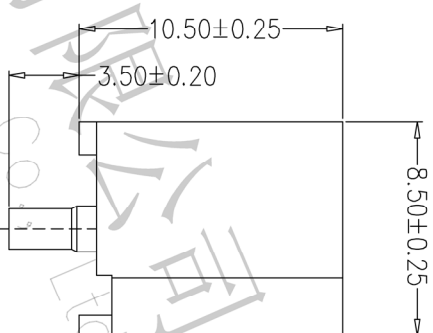
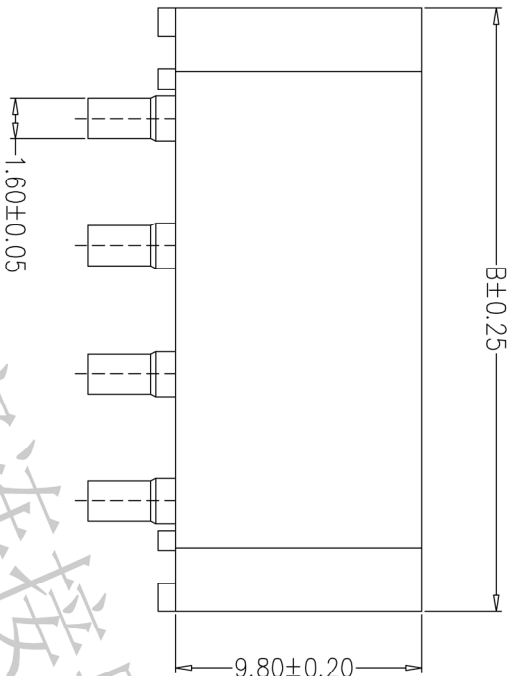


RoHS

SPECIFICATIONS

- 1、 Current Rating: 10A AC, DC
- 2、 Voltage Rating: 250V AC, DC
- 3、 Temperature Range: -25°C~+85°C
- 4、 Contact Resistance: 20mΩ Max
- 5、 Insulation Resistance: 1000MΩ Min
- 6、 Withstanding Voltang: 1500V AC/minute
- 7、 Material: Wafer Nylon66, UL94V-0  
PIN Brass Tin/Gold-plated



PCB LAYOUT

**深圳市连盛精密连接器有限公司**  
Shenzhen Liansheng Precision Connector Co., Ltd.

OPERATION		DRAW		SCALE		FIT		PART NO.	
X.X	$\pm 0.30$	黄	喜	UNIT	mm	A4		1/1	
X.XXX	$\pm 0.20$	卢	能	SIZE	A4	SHEET		1/1	
X.XXX	$\pm 0.10$	李	双	SHEET	1/1	PROU.		TITLE:	
Angle	$\pm 3'$	APP	ROV	李	双	PROU.		大四P 实心带点直针	
DIM	TOL	CHANGE	4	5	6	7		8	
1	2	3	4	5	6	7		8	
REV	DATE	MODIFICATION DESCRIPTION	CHANGE	APP	ROV	PROU.		TITLE:	
A0	2012.03.28	NEW DRAWING	4	5	6	7		8	
A						7		8	